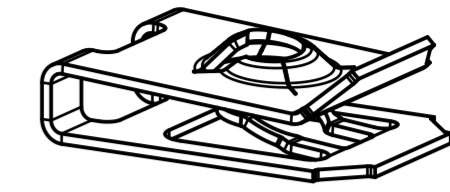
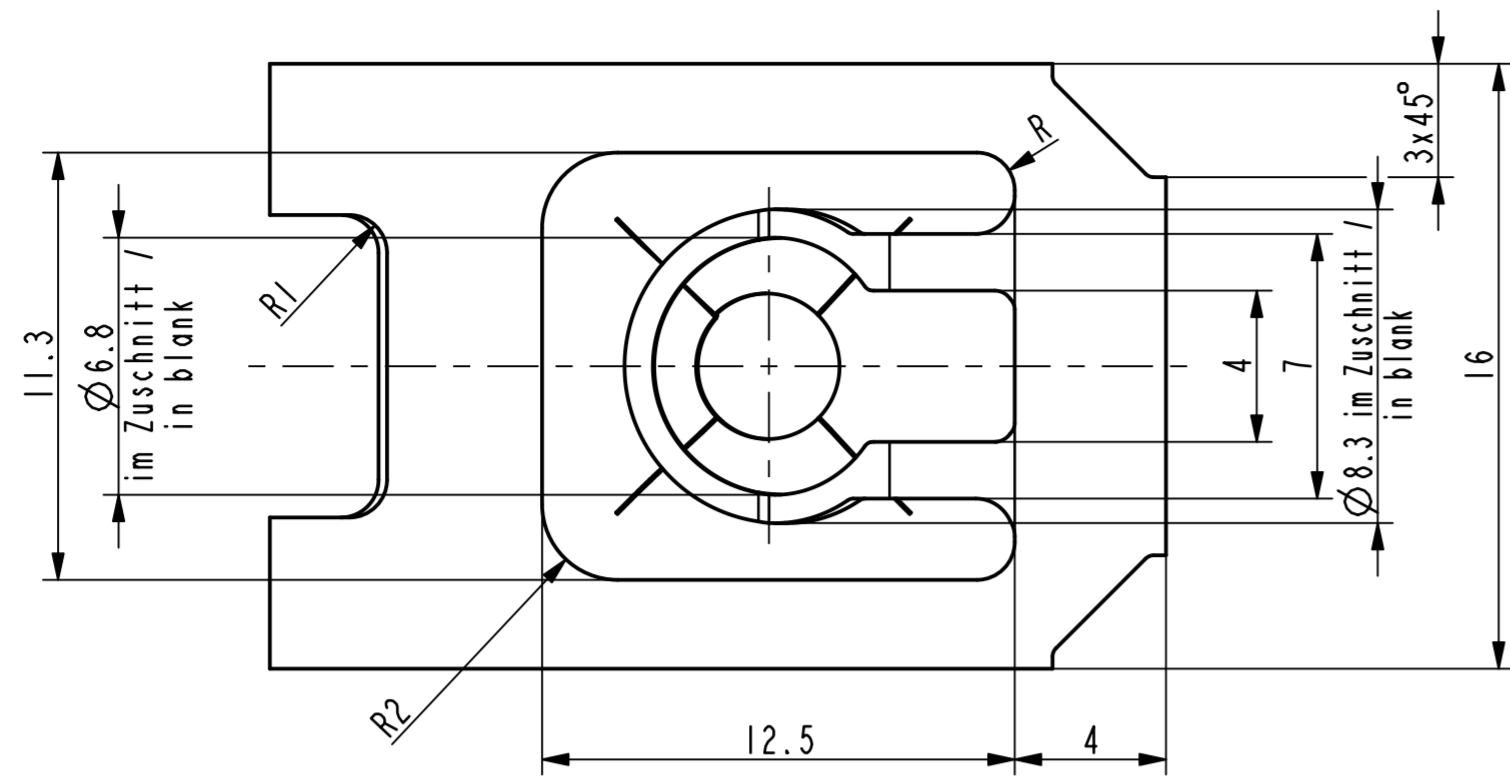
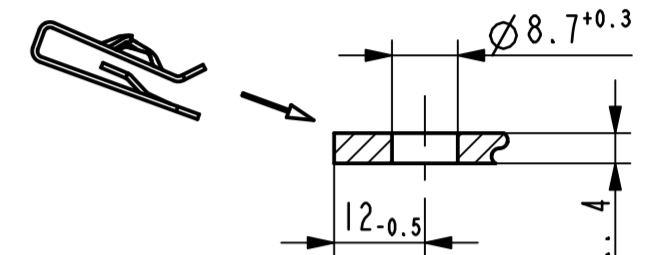


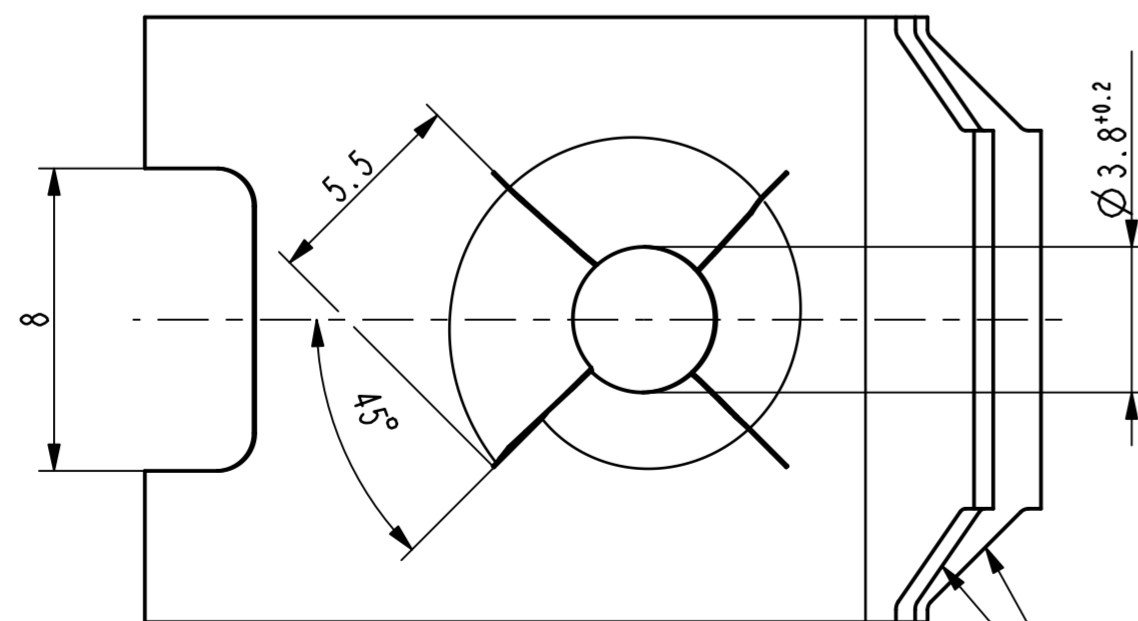
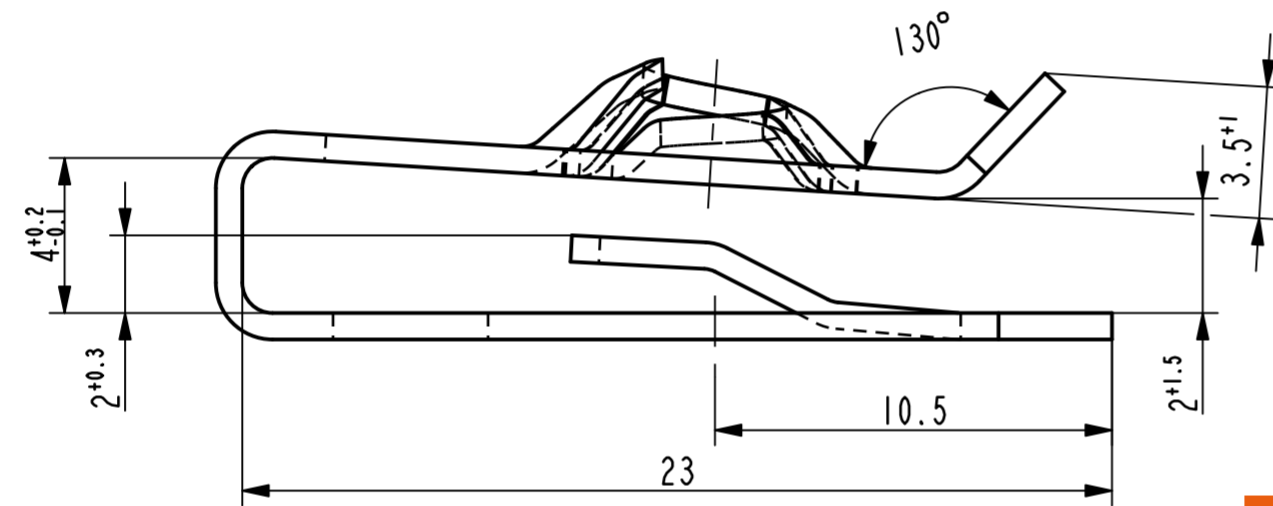
Vor Auslegung einer automatisierten Verarbeitung des Teils sollte Rücksprache mit Fa. A.Raymond gehalten werden.
Fully automatic processing of the part requires prior consultation with A.Raymond GmbH.



3D-Ansicht / isometrical view 2:1



Einbausituation / assembly situation 1:1



Ausklüftung beidseitig zulässig / cut-out bothsides permissible

<http://www.cergy-vis.fr>

[CERGY-VIS]

ET SI ON PARLAIT SERVICE

-	-	-	-	-
-	-	-	-	-
-	-	-	-	-
-	-	-	-	-
-	-	-	-	-
-	-	-	-	-
-	-	-	-	-
-	-	-	-	-
-	-	-	-	-
-	-	-	-	-
Ba	-	Oberflächenvariante entfernt (3000, 3100)	28.04.11	mj
Rev.	Anzahl/ quality	Änderungsbeschreibung / modification description	Datum/date	Name

ARaymond
Teichstrasse 57
Germany - 79511 Loerrach
Phone +49 (0) 7621 174-0
Fax +49 (0) 7621 174-225

Bei Verständnisproblemen beantragen Sie bitte beim Absender die deutsche Fassung vor jeder Anwendung.
"CONDITIONS OF USE"
This drawing and all information (the "Drawing") disclosed are the exclusive property of A.Raymond.
By using this Drawing the Addressee acknowledges and accepts that this Drawing (1) is covered by A.Raymond' intellectual property rights or know-how and (2) is provided under the following conditions who represent a Deposit Agreement.
This Drawing is for Addressee' internal use only limited to its estimation.
Without prior written consent of A.Raymond, no permission or rights for any purpose, is hereby granted, such as, without any limitation, (3) the copy, in part or entirely, (4) and/or the distribution of the Drawing, in part or entirely, in any medium (5) and/or the creation of any derivative work.
In case of breach of these conditions, Addressee shall indemnify A.Raymond from and against all damages (compensatory or consequential), costs, expenses and charges, caused or arising out of or attributable to its willful misconduct, fraud, negligence, infringement of A.Raymond' intellectual property rights. If the Addressee does not accept these conditions, please notify A.Raymond' sender immediately.

Intellectual property rights	vorbehalten / all rights reserved			Classification code	AABAF	
Ersatz fuer/ substitute for	013806.c.01/B/02.11.2005	Entw./Ref./ dev.ref.		Projekt-Nr./ project no.	EM 3113	
Masstab/ scale	5:1	Format	A2	Datum/ date	28.04.2011	
Projektion / projection	ALL DIMENSIONS ARE IN MILLIMETERS		Erstellt von/ prepared by	M. Junge		
Blechküdfel/ met. thickness DIN EN 10140	0.70	Freigegeben/ approved	20110428114953	Volumen/ volume (mm³)	415.1	
				Gericht/ weight (g)	3.3	
Oberfl./ finish	metallhaltige Korrosionsschutzbeschichtung, Farbe silber metallic corrosion protection coated, colour silver				Oberfl. Code/ finish code	5410
Werkstoffbehandl./ material treatment	zwischenstufenverguetet / austempered 375 ... 475 HV 5					
Werkstoff/ material	C67S DIN EN 10132-4				Mat. code	1000
Bezeichnung/ title	Blechmutter für Gewinde EN ISO 1478 - ST5.5, selbstsichernd sheet metal nut for thread EN ISO 1478 - ST5.5, selflocked					
Teil-Nr./ part no.	013806-0-03			Drawing type	C:Customer	
Kundenteile-Nr. / customer part no.	-			Blatt / sheet	1 / 1	
CAD system & version	ProE WF4		Dateiname / filename	013806-0C00		

013806-0-06	verzinkt / passiviert farblos zinc plated / passivated colourless	3250
013806-0-05	metallhaltige Korrosionsschutzbeschichtung, Farbe schwarz metallic corrosion protection coated, colour black	5451
013806-0-04	metallhaltige Korrosionsschutzbeschichtung, Farbe silber, GZ metallic corrosion protection coated, colour silver, lubricated	5452
Teil-Nr. / part no.	Oberfläche / Farbe / finish / colour	Oberfl. Code/ finish code
Ausführung / Execution		