

CAD-Daten von DC vom 07.09.06 (Herr Kübler)

EA00003487\_ZB\_HINTERACHSTRAE,--0008--,A451350008-----1--DR20-2ZQ  
 EA00003487\_ZB\_HINTERACHSTRAE,--0008--,A451350008-----1--3D19-2ZQ  
 HALTER\_\_REGENERIERVENTIL\_TC,--0001--,A4514710041\_D=15MM\_ANGEPASST\_FUE  
 HALTER\_\_REGENERIERVENTIL\_TC,--DRW---,A4514710041\_D=15MM\_ANGEPASST\_FUE

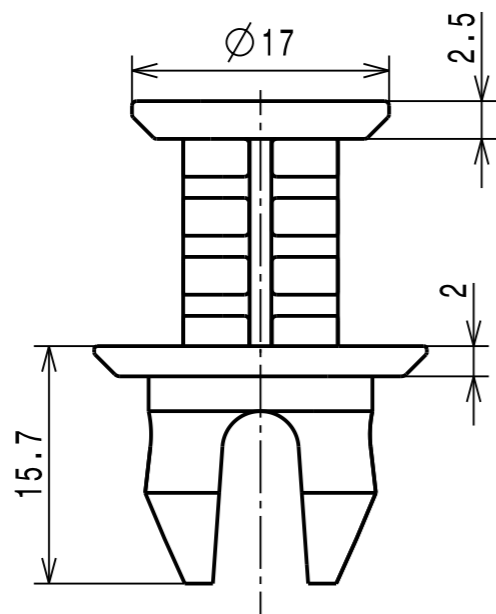
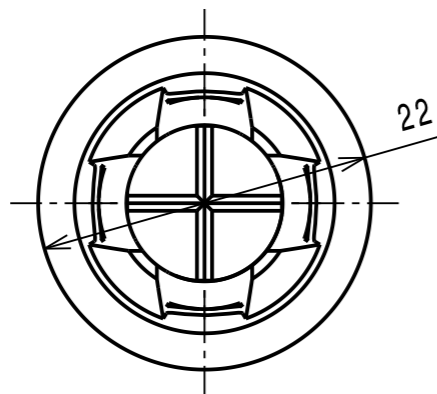
Kennzeichnung: / Identification:

Hersteller - Code

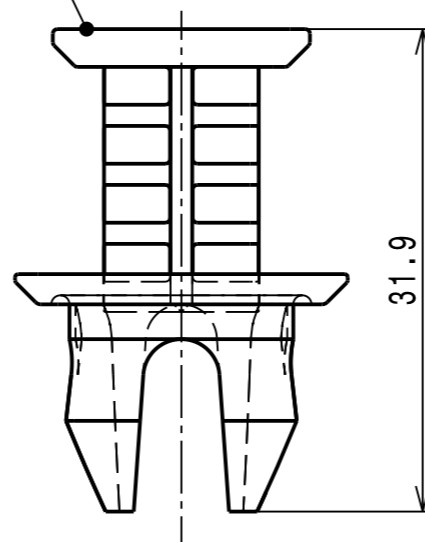
Mfr. - Code

Werkstoff - Code VDA 260 >PA66<

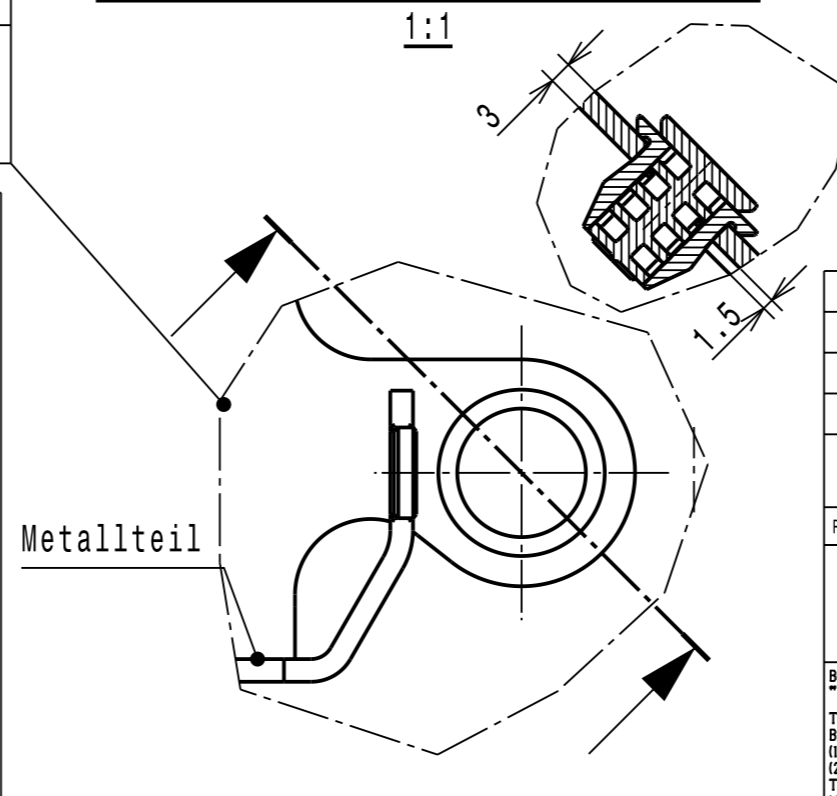
Material - Code



Stift vormontiert



Montagedarstellung / assembly situation



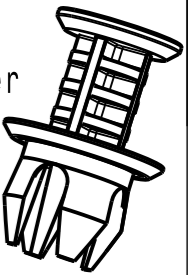
Befest. - Loch = Ø15 +0.2/-0.1

Fastening hole

Befest. - Dicke = 3mm Halter + 1,5mm Träger

Fastening thickness

1:1



-	-	-	-	-
-	-	-	-	-
-	-	-	-	-
-	-	-	-	-
Ab	-	Zeichnung ueberarbeitet nach AR- Gruppenstandard, Teil unveraendert		27.01.14 Pr

Rev.	Anzahl/quantity	Aenderungsbeschreibung / modification description	Datum/date	Name
Teichstrasse 57 Germany - 79511 Loerrach Phone +49 (0) 7621 174-0 Fax +49 (0) 7621 174-2 25				

Bei Verstaendnisproblemen beantragen Sie bitte beim Absender die deutsche Fassung vor jeder Anwendung.  
**"CONDITIONS OF USE"**  
 This drawing and all information (the "Drawing") disclosed are the exclusive property of ARaymond. By using this Drawing the Addressee acknowledge and accept that this Drawing (1) is covered by ARaymond intellectual property rights or know-how and (2) is provided under the following conditions who represent a Deposit Agreement. This Drawing is for Addressee internal use only limited to its estimation. Without prior written consent of ARaymond, no permission or rights for any purpose, is hereby granted, such as, without any limitation, (1) the copy, in part or entirely (2) and/or the presentation, in part or entirely, to any other third party outside the Addressee company or in the company but with no interest (3) and/or the distribution of the Drawing, in part or entirely, in any medium (4) and/or the creation of any derivative work. In case of breach of these conditions, Addressee shall indemnify ARaymond from and against all damages (compensatory or consequential), costs, expenses and charges, caused or arising out of or attributable to its willful misconduct, fraud, negligence, infringement of ARaymond Intellectual Property rights. If the Addressee does not accept these conditions, please notify ARaymond sender immediately.

Schutzrechte/ patent rights	vorbehalten / all rights reserved		Rasch Code/ classification	CAF--
Ersatz fuer/ substitute for	207926000/Aa/20.10.06	Entw.Ref./ dev.ref.	-	Projekt-Nr./ project no. 56817-K

Masstab/ scale	Format	Allgemeintoleranz/ general tolerance	Datum/ date	27.01.2014
2:1	A3	sh. Tabelle / see table	Erstellt von/ prepared by	Preuß
Projektion / projection	ALL DIMENSIONS ARE IN MILLIMETERS		Freigegeben/ approved	20140127091922
	Blechdicke/ mat. thickness DIN EN 10140	Volumen/ volume (mm³)	2361	Gewicht/ weight (g) 2,7

Oberfl./ finish	-	Oberfl.Code/ finish code	-
--------------------	---	-----------------------------	---

Werkstoffbehandl./ material treatment	-
--	---

Werkstoff/ material	PA 66 waermestabil PA 66 heat stabilized	Mat. code	2532
------------------------	---	-----------	------

Benennung/ title	Spreizniet expansion rivet		
---------------------	-------------------------------	--	--

Teil-Nr./ part no.	207926-0-00		Drawing type	C:Customer
-----------------------	-------------	--	--------------	------------

Kundenteile-Nr. / customer part no.	-	Blatt / sheet	1 / 1
CAD system & version	CATIA V5 R19	Dateiname / filename	207926-0C00

>400 <= 1000	±2
>120 <= 400	±1.5
> 30 <= 120	±1
> 6 <= 30	±0.5
<= 6	±0.25
Winkel / Angle	±3°

Allgemeintoleranzen fuer  
 Nennmasse ohne Toleranz.  
 General tolerances for  
 nominal dimensions without  
 specified tolerance.

<http://www.cergy-vis.fr>  
  
 ET SI ON PARLAIT SERVICE

207926-0-00	schwarz black	SW	7000
Teil-Nr. / part-no.	Oberflaeche / Farbe / finish / colour	Oberfl.Code / finish code	
Ausfuehrung / execution			