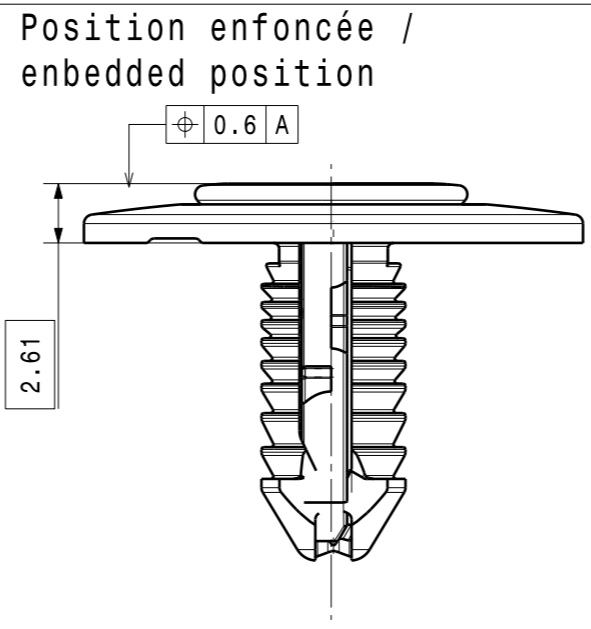
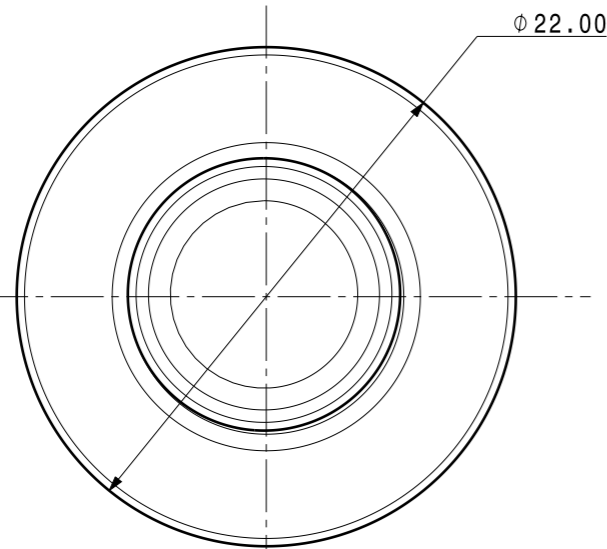
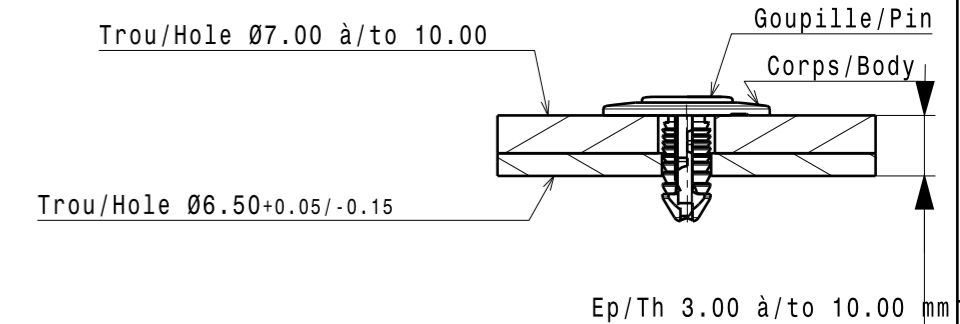
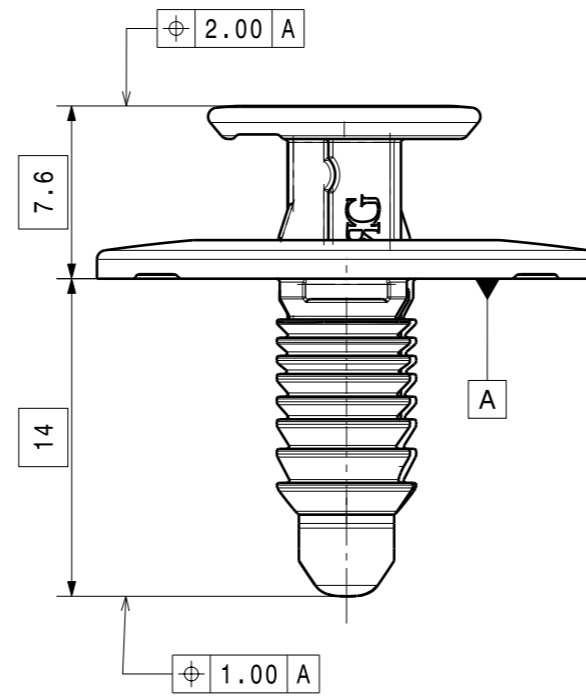
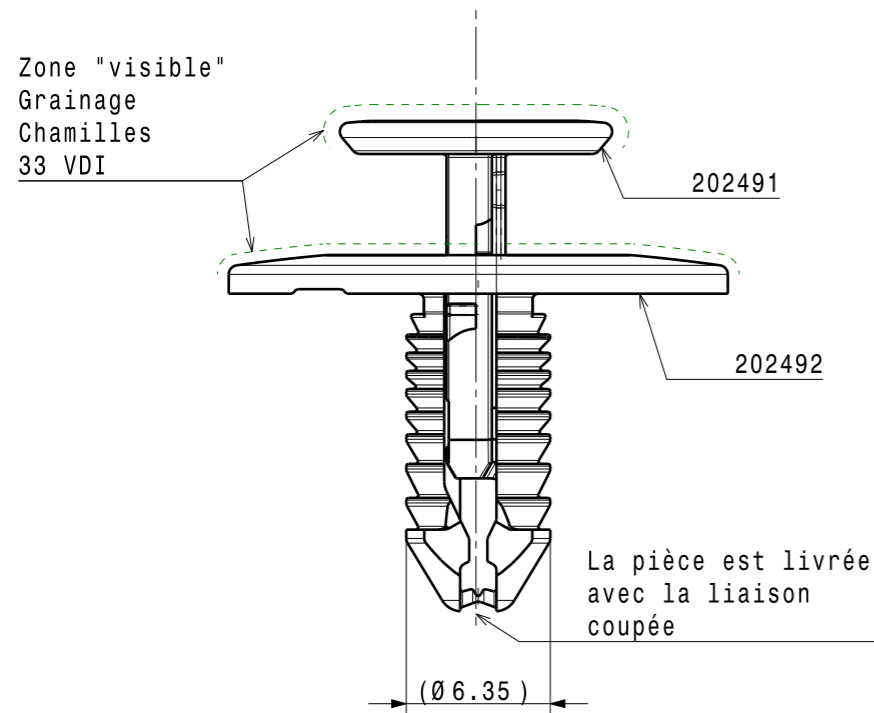


Pièce / Part	Corps / Body	Matières / Materials	Epaisseur / Thickness	Traitements structuraux / Material treatments	Finitions / Finishes	Qté / Qty	Volume (mm3)	Poids / Weight (g)
202492-0-00	-	PA66 12		Sans Without	Noir Black	1	666,3	0,7
202491-0-00	-	PA66 12		Sans Without	Noir Black	1	287,7	0,3

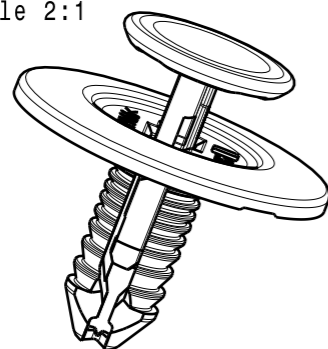
Une consultation préalable de A.Raymond SARL est nécessaire pour toute mise en place de la pièce en automatique.
Automatic processing of the part requires prior consultation with A.Raymond SARL.

EXEMPLE D'UTILISATION/USE CONDITION
ECHELLE/SCALE :1:1 Etat Monté/Fitted state

Etat de livraison/delivery state



Vue iso/3D view
Echelle/Scale 2:1



A Raymond
113 cours Berriat BP 157
France - 38019 Grenoble cedex 1
Tel +33 (0) 4 76 33 49 49
Fax +33 (0) 4 76 78 20 50

Si problème de compréhension, merci de demander la version française à A.Raymond avant toute utilisation.
"CONDITIONS OF USE"
This drawing and all information (the "Drawing") disclosed are the exclusive property of A.Raymond. By using this Drawing the Addressee acknowledges and accepts that this Drawing (1) is covered by A.Raymond intellectual property rights or know-how and (2) is provided under the following conditions who represent a Deposit Agreement. This Drawing is for Addressee internal use only limited to its estimation. Without prior written consent of A.Raymond, no permission or rights for any purpose, is hereby granted, such as, without any limitation, (1) the copy, in part or entirely (2) and/or the presentation, in part or entirely, to any other third party outside the Addressee company or in the company but with no interest (3) and/or the distribution of the Drawings, in part or entirely, in any medium (4) and/or the creation of any derivative work. In case of breach of these conditions, Addressee shall indemnify A.Raymond from and against all damages (compensatory or consequential), costs, expenses and charges, caused or arising out of or attributable to its willful misconduct, fraud, negligence, infringement of A.Raymond Intellectual Property rights. If the Addressee does not accept these conditions, please notify A.Raymond sender immediately.

Brevets / Patent rights	Patented RG614	Classification code	CAF--
N° Projet / Project No.	Origine / Origin	Chef de projet / Project Manager Y.R/L DUPONT	

Echelle / scale	Format	Tolerance / General tolerance	Date
3:1	A3	± 0.50 ± 5.00°	05.11.2009
Realise / Prepared by		MB/MARTIN D'ARNAL	

ALL DIMENSIONS ARE IN MILLIMETERS		Approuve / Approved	20101105135723
Epaisseur / Mat. thickness	Volume (mm³)	Poids / Weight (g)	1
	954		

Finition / finish	Code finition finish code
Voir nomenclature See parts list	-

Traitement structural / Material treatment
Voir nomenclature See parts list

Matière / Material	Mat. code
Voir nomenclature See parts list	-

Libelle / Title
Bouton de fixation
Fastening button

Reference / Part no.	Drawing type
202493-0-00	C:Customer

Ref. client / Customer part no.	Planche / Sheet 1/1
CAD system & version CATIA V5 R19 SP7	Nom fichier / File name 202493-0C00

REV.	Quant.	Indice / revision description	Date	Name
He	-	UPDATED DRAWING	05.11.10	FAI
Hd	-	MISE A JOUR PLAN BE	05/11/09	TD

VERIFIER L ECHELLE APRES PHOTOCOPIE / BEWARE SCALE AFTER COPY