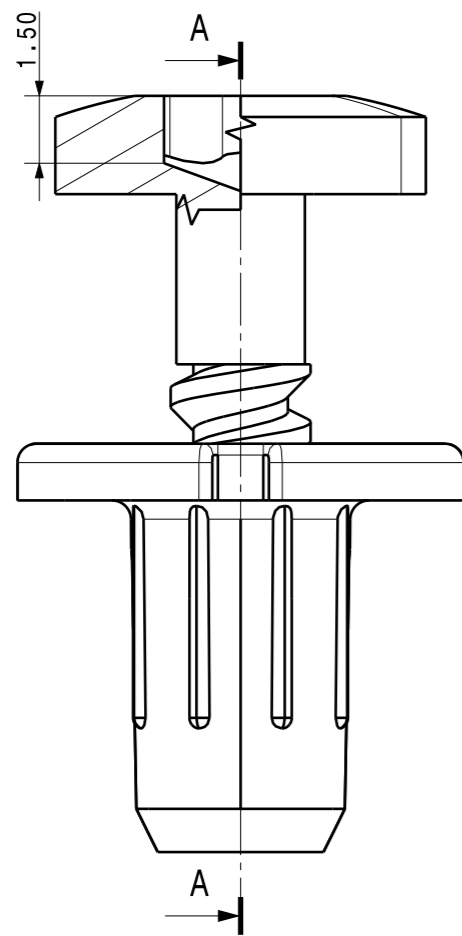


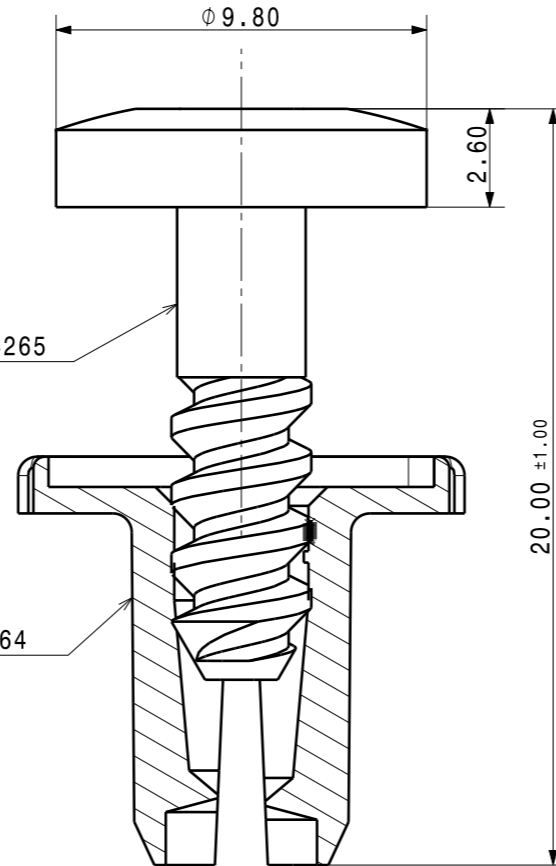
Pièce / Part	Corps / Body	Matière / Material	Traitement / Material treatments	Finition / Finishes
054265-0-03	-	PA66 00 Naturel Ultramid A3K Naturel	Sans Without	Noir Black
054264-0-02	-	PA6 20 Noir Ultramid B3L Noir 00464	Without Sans	Black Noir



Coupe A-A

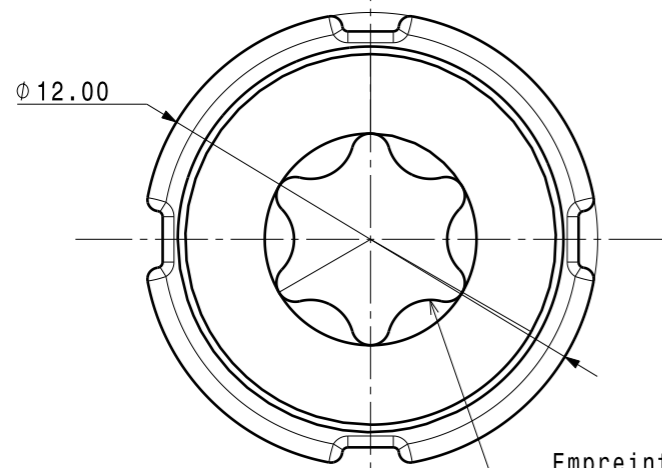
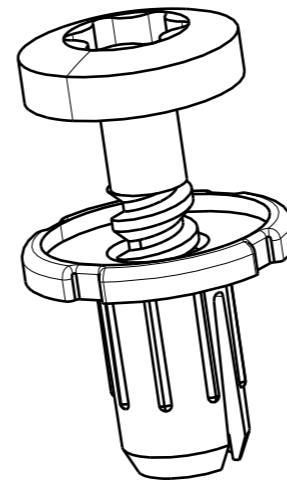


Réf : 054265



Réf : 054264

Vue isométrique / Isometric view
Ech. / Scale : 3:1

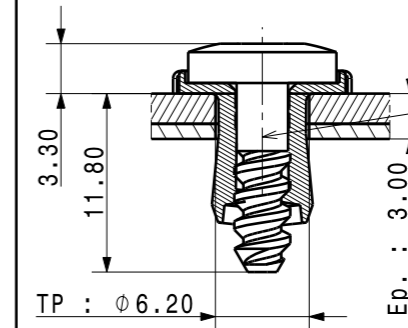


Empreinte six lobes internes
symbole X n°30 suivant norme NF E 25-020
Six internal lobe recess symbole X n°30
according to standard NF E 25-020

Une consultation préalable de A.Raymond SARL est nécessaire pour toute mise en place de la pièce en automatique.
Automatic processing of the part requires prior consultation with A.Raymond SARL.

Exemple d'utilisation / Use condition

Ech. / Scale : 2:1



Montage possible avec vis M4, vis à tôle ST 4,20 ou vis 054265.
Possible fitting with M4 screw, ST screw for sheetmetal Ø4.20 or screw ref. 054265.

Montage en poussant
Push to fit
Démontage en dévissant
Unscrew to remove



113 cours Berriat BP 157
France - 38019 Grenoble cedex 1
Tel +33 (0) 4 76 33 49 49
Fax +33 (0) 4 76 78 20 50

Si problème de compréhension, merci de demander la version française à ARaymond avant toute utilisation.

"CONDITIONS OF USE"

This drawing and all information (the "Drawing") disclosed are the exclusive property of A.Raymond. By using this Drawing the Addressee acknowledges and accepts that this Drawing (1) is covered by A.Raymond intellectual property rights or know-how and (2) is provided under the following conditions who represent a Deposit Agreement. This Drawing is for Addressee internal use only limited to its estimation. Without prior written consent of A.Raymond, no permission or rights for any purpose, is hereby granted, such as, without any limitation, (1) the copy, in part or entirely (2) and/or the presentation, in part or entirely, to any other third party outside the Addressee company or in the company but with no interest (3) and/or the distribution of the Drawings, in part or entirely, in any medium (4) and/or the creation of any derivative work. In case of breach of these conditions, Addressee shall indemnify A.Raymond from and against all damages (compensatory or consequential), costs, expenses and charges, caused or arising out of or attributable to its willful misconduct, fraud, negligence, infringement of A.Raymond Intellectual Property rights. If the Addressee does not accept these conditions, please notify A.Raymond sender immediately.

Brevets / Patent rights		Classification code	
		CAF--	
N° Projet / Project No.	Origine / Origin	Chef de projet / Project Manager	
		PAULIN.G	
Echelle / scale	Format	Tolerance / General tolerance	Date
5:1	A3	Dimension Angle ± 0.50 ± 5.00°	06.06.2012
		ALL DIMENSIONS ARE IN MILLIMETERS	Realise / Prepared by
			DUPREZ.R
		Approuve / Approved	20120606070555
		Epaisseur / Mat. thickness	Volume (mm³)
		-	476,2
		Poids / Weight (g)	0,6

Finition / finish	Code finition finish code
Voir nomenclature See products list	-

Traitement structural / Material treatment
Voir nomenclature See products list

Matière / Material	Mat. code
Voir nomenclature See products list	-

Libelle / Title
Plastirivet Démontable Plastic rivet Removeable

Reference / Part no.	Drawing type
060953-0-01	C:Customer

Fb	-	Mise à jour	06.06.12	RDU
REV.	Quant.	Indice / revision description	Date	Name

Ref. client / Customer part no.	Planche / Sheet
	1/1
CAD system & version	Nom fichier / File name
CATIA V5 R19 SP7	060953-0C01

VERIFIER L ECHELLE APRES PHOTOCOPIE / BEWARE SCALE AFTER COPY

4
3
2
1

4
3
2
1