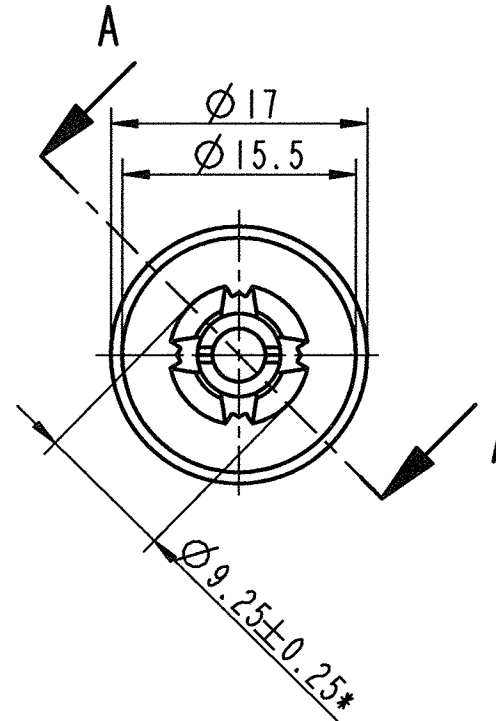
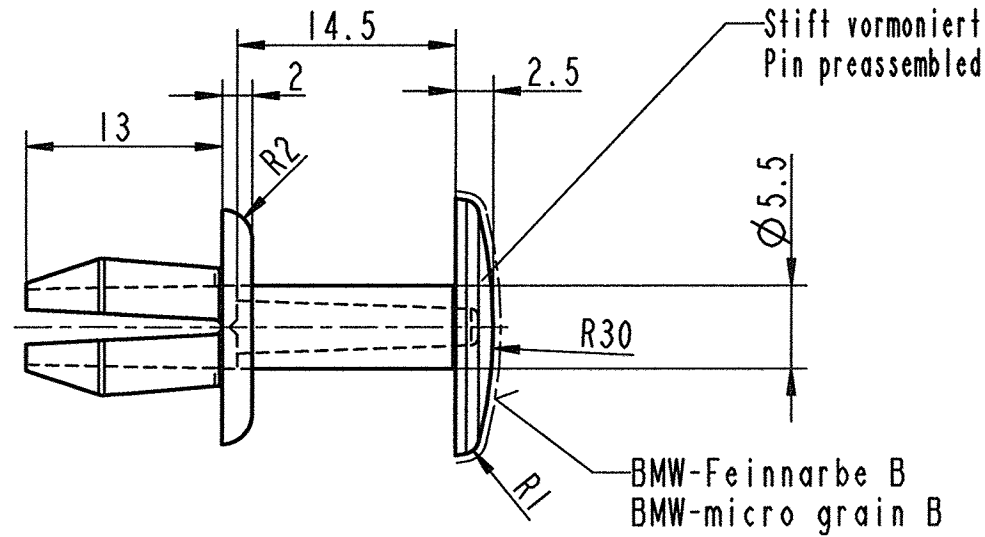
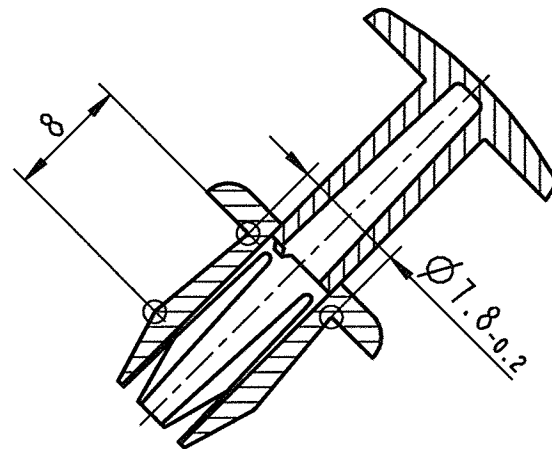


Kennzeichnung: / Identification:

Werkstoff - Code VDA 260 >PA 66<
Material - Code



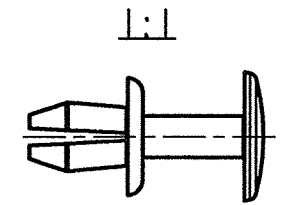
Schnitt / section A-A



*Maß sind bei eingedrucktem Pruefstift Ø5.5 zu messen
Dimension must be measured with preassembled test pin Ø5.5

Ha	Teil-Nr. / Part-No.	Spezial-Farcode / Special-Colourcode	Oberfläche / Farbe / Finish / colour	Kennzahl / Code number
-	018610 004		hellgrau / light grey	GA 4174
G	gewachst mit Klüberwachs	018610 003	schwarz / black	SW 7000
F	gewachst mit Klüberwachs	018610 002	mittel-grau 46 / grey	GA 4118
	018610 001	(E)	schwarz / black	SW 7000
	018610 000	mittel-grau 46 / grey	GA 4118	
	Ausführung / Execution	Teil-Nr. / Part-No.	Oberfläche / Farbe / Finish / colour	Kennzahl / Code number

Bef.-Loch fastening hole Ø	Bef.-Dicke fastening thickness s
7.8	0.8 - 4.2
8.3	2.4 - 6
8.8	6 - 7



Ind.	kommt vor / how often	Beschreibung / Description	Datum/Date	Name
Ha	lx	Variante 004 hinzugefügt	06.02.09	Vo
G	lx	Variante 003 hinzugefügt	09.08.04	fv
F	lx	Variante 002 hinzugefügt	23.01.04	KN
E	lx	Neue Urzeichnung - Daten in Pro/E uebernommen		
		Farbe hinzugefügt	12.05.03	KN

Aenderungen / Modifications



Bei Verstaendnisproblemen beantragen Sie bitte beim Absender die deutsche Fassung vor jeder Anwendung.
"CONDITIONS OF USE"
This drawing and all information (the "Drawing") disclosed are the exclusive property of A-Raymond. By using this Drawing the Addressee acknowledge and accept that this Drawing (1) is covered by A-Raymond' Intellectual property rights or know-how and (2) is provided under the following conditions who represent a Deposit Agreement. This Drawing is for Addressee' Internal use only limited to its estimation. Without prior written consent of A-Raymond, no permission or rights for any purpose, is hereby granted, such as, without any limitation, (1) the copy, in part or entirely (2) and/or the presentation, in part or entirely, to any other third party outside the Addressee' company or in the company but with no interest (3) and/or the distribution of the Drawing, in part or entirely, in any medium (4) and/or the creation of any derivative work. In case of breach of these conditions, Addressee shall indemnify A-Raymond from and against all damages (compensatory or consequential), costs, expenses and charges, caused or arising out of or attributable to its willful misconduct, fraud, negligence, infringement of A-Raymond' Intellectual Property rights. If the Addressee does not accept these conditions, please notify A-Raymond' sender immediately.

Dateiname/ Filename	CAD-PE: 018610_C_01		
Ersatz fuer/ Substitute for	18610.636 Index 4 vom 30.03.2001	Proj.-Nr./ Proj.-No.	RASCH-Code CAF--
		Vol.(mm ³) 1217	Gewicht/ Weight (g) 1.39

Schutzrechte/ Patent rights vorbehalten / all rights/reserved

Gepr./ App.	F.-gepr./ Produktion	Q.-gepr./ Quality	S.-gepr./ Patent app.
Maßstab / Scale	Allgem.Tol. wenn nicht anders angegeben/ General tol. unless otherwise specified		Datum/ Date
2:1	±0.3 / ±2°		12.05.2003
		Gez./ Drawn	Koehler

Oberflächenbehandlg./ Finish	-	Kennzahl/ Code number	-
------------------------------	---	-----------------------	---

Werkstoffbehandlg./ Material treatment	konditioniert/conditioned Wassergehalt/water content: 1.5% max.	Blechdicke/ Mat.Thickn. DIN EN 10 140	-
--	--	---------------------------------------	---

Werkstoff/ Material	PA 66 Standard	Mat.-Code	2002
---------------------	----------------	-----------	------

Benennung/ Partname
Spreizniet / expansion rivet

Teil-Nr./ Part-No.	018610 000	C
--------------------	-------------------	----------