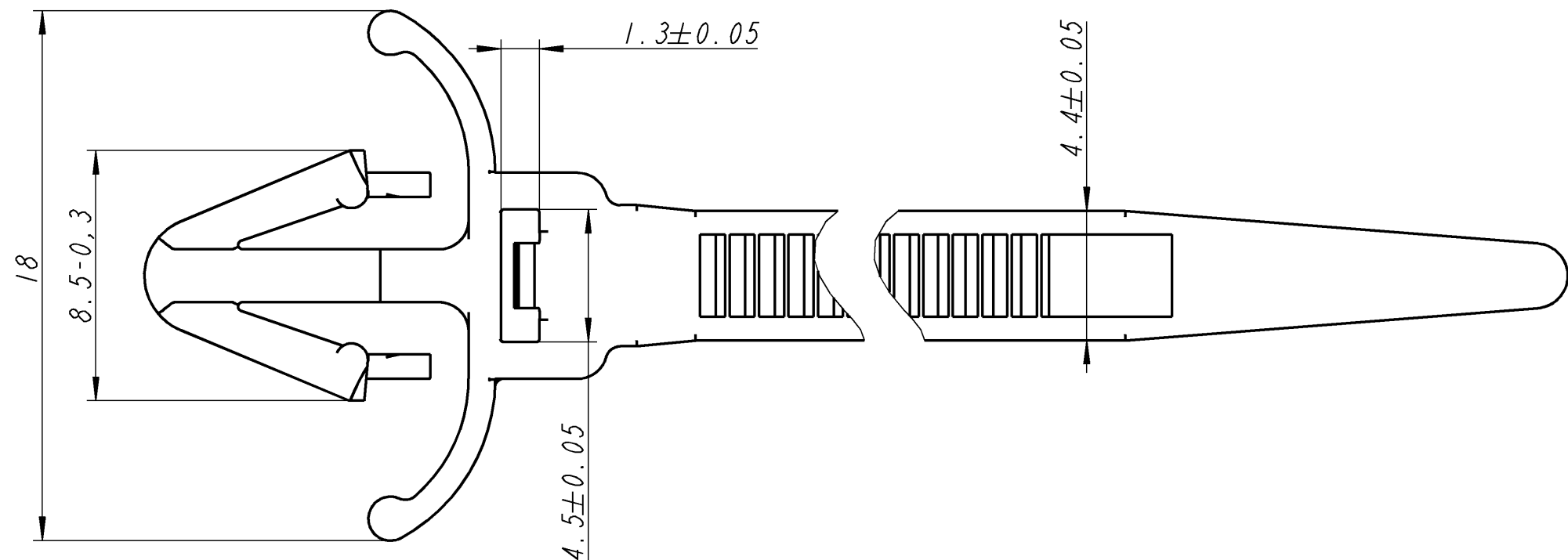
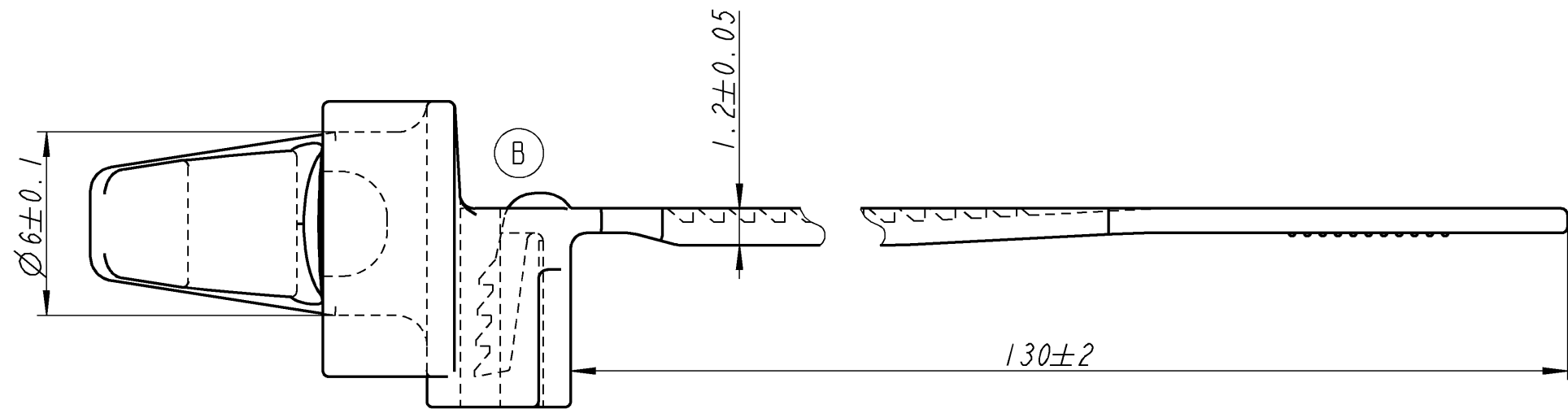
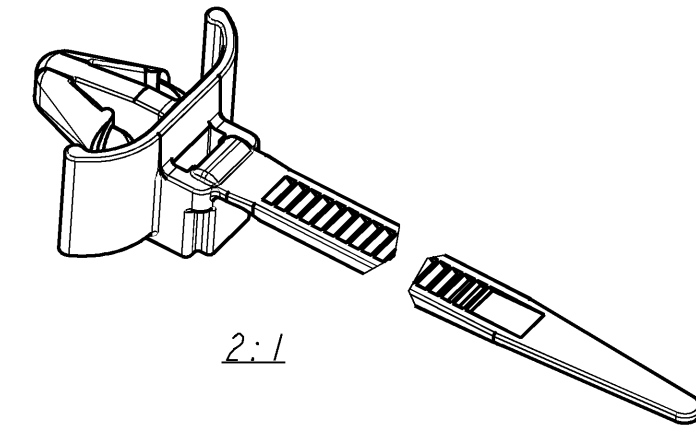


Utahovací síla pasky  $70 \pm 10$  N při  $20^\circ\text{C}$   
Tight force is  $70 \pm 10$  N under  $20^\circ\text{C}$



> 400 ≤ 1000	±2
> 120 ≤ 400	±1,5
> 30 ≤ 120	±1
> 6 ≤ 30	±0,5
≤ 6	±0,25
Uhel/Angle	±3

Upinací otvor :  $\varnothing 6,1 \dots 6,5$  mm  V  
Fastening hole :  $\varnothing 6,1 \dots 6,5$  mm  V  
Pro kabelové svazky  $\varnothing 2 \dots 30$  mm.  
For the cable bundles  $\varnothing 2 \dots 30$  mm.  
Upevňovací tloušťka : od 0,8 do 2,8 mm  V  
Fastening thickness : from 0,8 to 2,8 mm  V

Všeobecné tolerance pro netolerované jmenovité rozměry  
General tolerances for nominal dimensions without specified tolerance.

B	Zm. tvaru, materiálu / Shape, mat. changed - NZ 1/2007	23.02.07	Sa
Aa	Původní vydání / Initial Release	5.12.06	Sa
Ind.	kolikrát / how often	Popis / Description	Datum / Date Name

Změny / Modifications  
drawing name: 208025\_000 | model: 208025 | Format: DIN A3



This drawing and all information (the "Drawing") disclosed are the exclusive property of A-Raymond. By using this Drawing the Addressee acknowledges and accepts that this Drawing (1) is covered by conditions of intellectual property rights or know-how and (2) is provided under the following conditions who represent a Deposit Agreement.  
This Drawing is for Addressee's internal use only limited to its estimation. Without prior written consent of A-Raymond, no permission or rights for any purpose, such as, without any limitation, (1) the copy, in part or entirely (2) and/or the presentation, in part or entirely, to any other third party outside the Addressee's company or in the company but with no interest (3) and/or the distribution of the Drawing, in part or entirely, in any medium (4) and/or the creation of any derivative work.  
In case of breach of these conditions, Addressee shall indemnify A-Raymond from and against all damages (compensatory or consequential), costs, expenses and charges, caused or arising out of or attributable to its willful misconduct, fraud, negligence, infringement of A-Raymond's Intellectual Property rights.  
If the Addressee does not accept these conditions, please notify A-Raymond's sender immediately. Jestliže máte problém s porušením těchto podmínek, pak před zahájením práce na tomto projektu kontaktujte odesílatele výkresu za účelem získání vám stornovatelného prekládu.

Datum/Date	05.12.2006
Kreslil/Drawn	Sasek
C.-prezk./App.	F239BBE04CBB0FC9
F.-prezk./App.	
Q.-prezk./App.	

Patentová práva / Patent rights: vyhrazena / all rights reserved  
Meritka/Scale: 5:1  
Všeobecné jinak neurčené tolerance / General tol. unless otherwise specified: viz tabulka / see table

Uprava materiálu / Material treatment  
Material: >PA66< dry impact modif., heat resist.

Název dílu / Part name: Paska Cable Strap  
Cislo dílu zakazníka / Customer part No.: -

208 025.000	2104	7000	cerna/black
Cislo dílu/Part-No.	Kod mat./Mat. code	Kod barvy/Colour code	Barva / Colour

Cislo dílu / Part-No.: 208 025.000 C