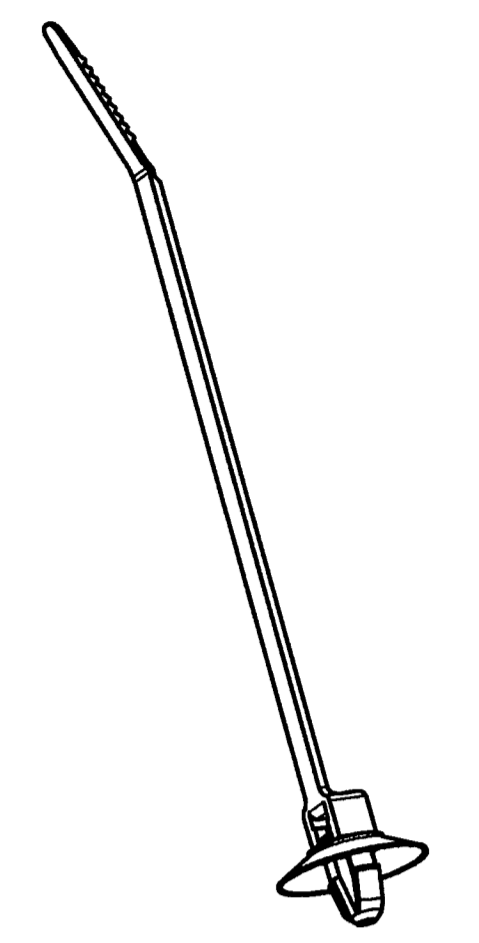
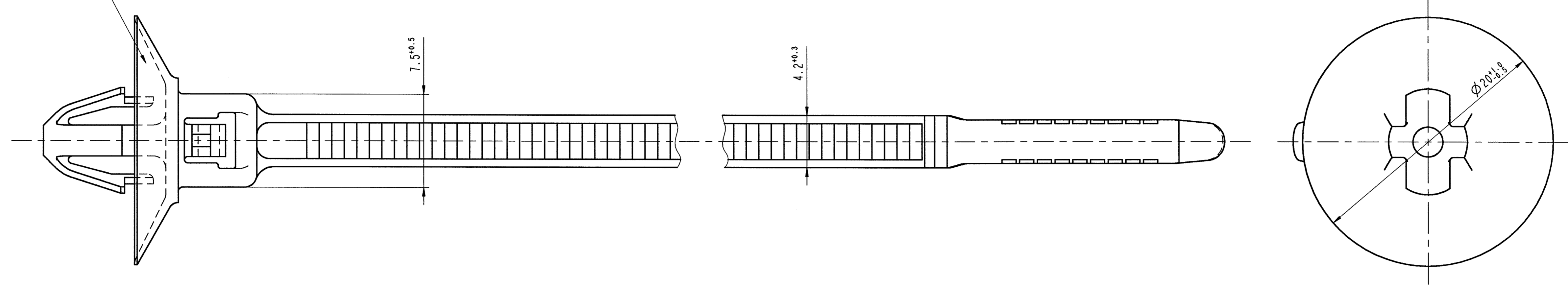


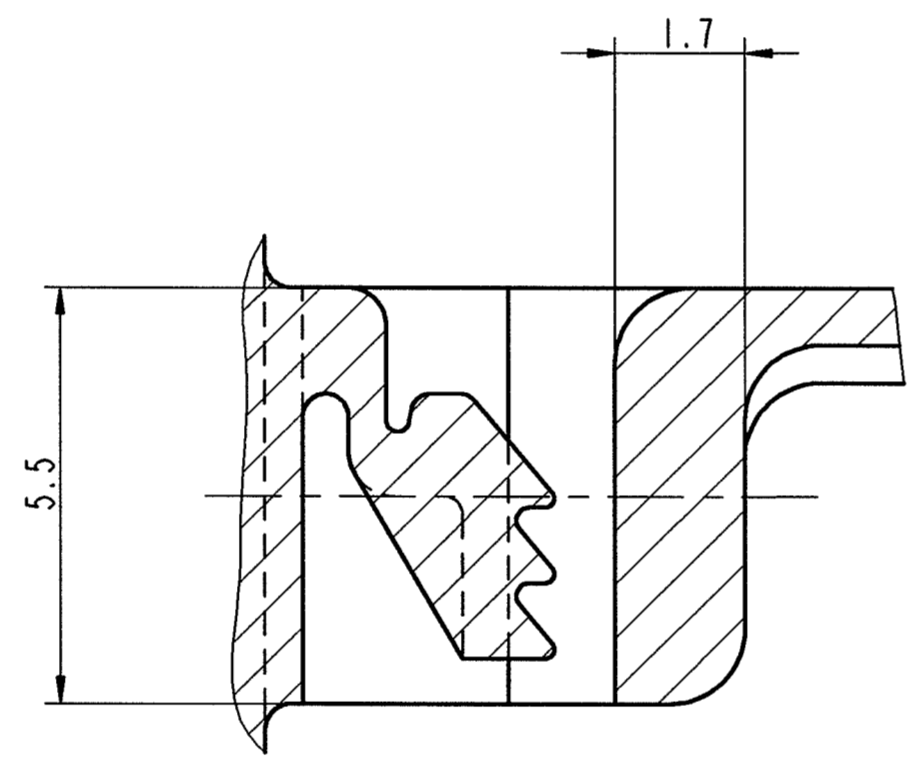
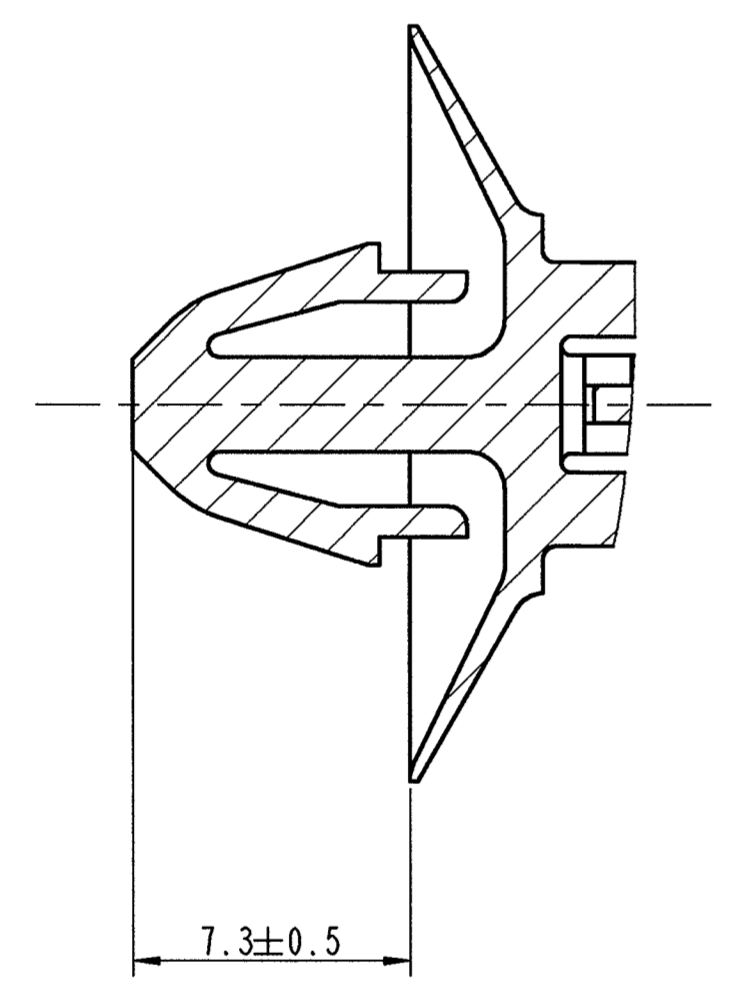
Deformierung des Schirmes zulässig  
 Deformation of the shield is allowed

passend fuer Kabelbündel max. Ø24  
 applicable for cable bundle max. diameter 24

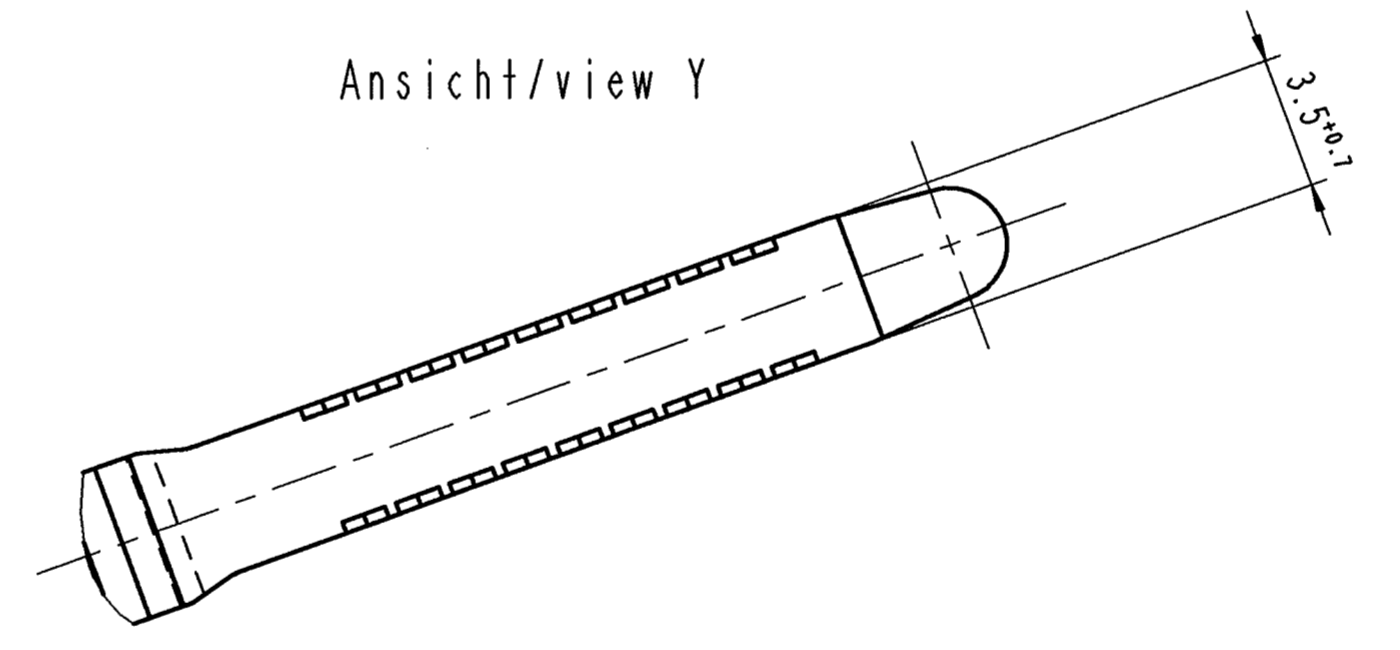


Schnitt/section A-A

Einzelheit/detail Z  
 10:1

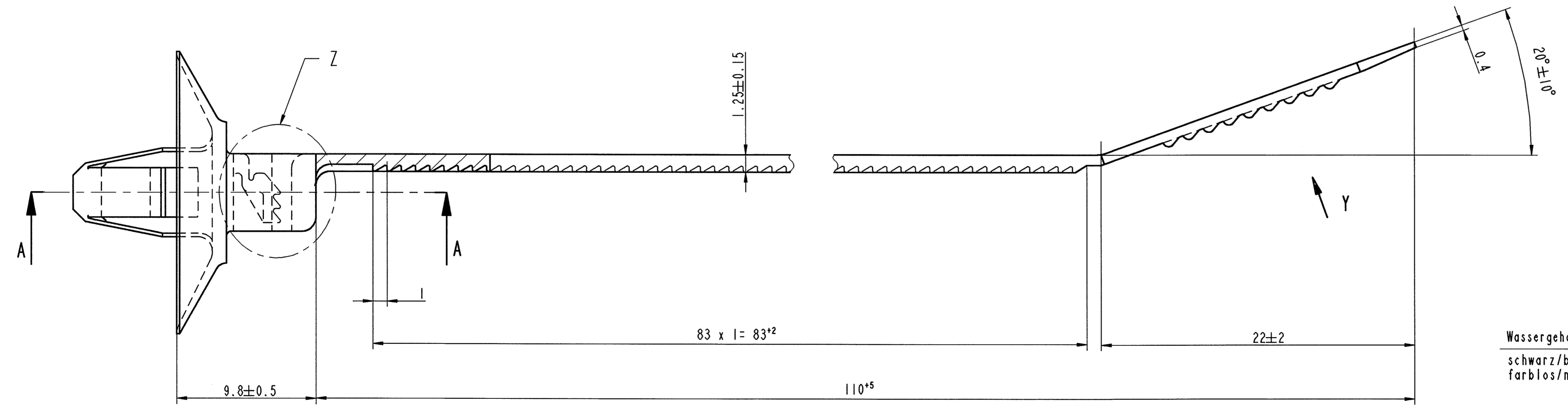


Ansicht/view Y



Befest. - Loch = Ø6,5 <sup>+0.2</sup>  
 Fastening hole  
 Befest. - Dicke = 0,8 ... 1,8  
 Fastening thickness

Ausreisskraft aus Aufnahmeloch  
 Ø6,5 = 100 N min. bei +23° ±5°C  
 pull out force Ø6,5 = 100 N min.  
 at temperature + 23° ±5°C



Wassergehalt bei Farbe/water content by colour:  
 schwarz/black SW: min.1.5...3.5%  
 farblos/nature FL: max.1.5%

>400 <= 1000	±2
>120 <= 400	±1.5
> 30 <= 120	±1
> 6 <= 30	±0.5
< 6	±0.25
Winkel / angle	±3°
Allgemeintoleranzen fuer Nennmaße ohne Toleranz. General tolerances for nominal dimensions without specified tolerances.	

Anderungen / Modifications			
Format DIN A1			
Bei Verständigungsfragen beantragen Sie bitte beim Absender die deutsche Fassung vor jeder Anwendung. CONDITIONS OF USE: This drawing and all information (the "Drawing") disclosed are the exclusive property of A-Raymond. By using this Drawing the Addressee acknowledges and accepts that this Drawing (D) is covered by A-Raymond's intellectual property rights or know-how and (Z) is provided under the following conditions who represent a Deposit Agreement. This Drawing is for Addressee's internal use only limited to its estimation. Without prior written consent of A-Raymond, no permission or rights for any purpose, is hereby granted, such as, without any limitation, (a) the copy, in part or entirely (Z) and/or the presentation, in part or entirely, to any other third party outside the Addressee's company or in the company but with no interest (D) and/or the distribution of the Drawing, in part or entirely, in any medium (Z) and/or the creation of any device for the work, in case of breach of these conditions, Addressee shall indemnify A-Raymond from and against all damages (consequential or compensatory), costs, expenses and charges, caused or arising out of or attributable to its willful misconduct, fraud, negligence, infringement of A-Raymond's Intellectual Property rights. If the Addressee does not accept these conditions, please notify A-Raymond sender immediately.			
Dateiname / Filename: CAD-PE: 014832.C.01			
Ersatz fuer / EP 0063		Proj.-Nr. / 25373-N	
Substitit für 14 832.616 Index 13 vom 04.09.2001		BASCN-Code BADA- Gew./Wt (g) 1.19	
Schutzrechte / Patent rights vorbehalten / all rights reserved			
Messstab / Scale 5:1		Allgem. Tol. wenn nicht anders angegeben / Datum / 11.04.2006	
Oberflächeneigenschaften / Finish		Oberfläch / Finish / colour: Klar	
Werkstoffbezeichnung / Material treatment		konditioniert / conditioned	
Werkstoff / Material		PA 66 - Standard	
Besatzung / Partname		Kabelband / cable strap	
Teil-Nr. / Part-No.		014832 001	
Ausführung / Execution		C	

014832 002	Schwarz / black	SW	7001
014832 001	farblos / nature	FL	0000
Teil-Nr. / Part-No.	Oberfläch / Finish / colour	Besatzung / Code number	
	Ausführung / Execution		