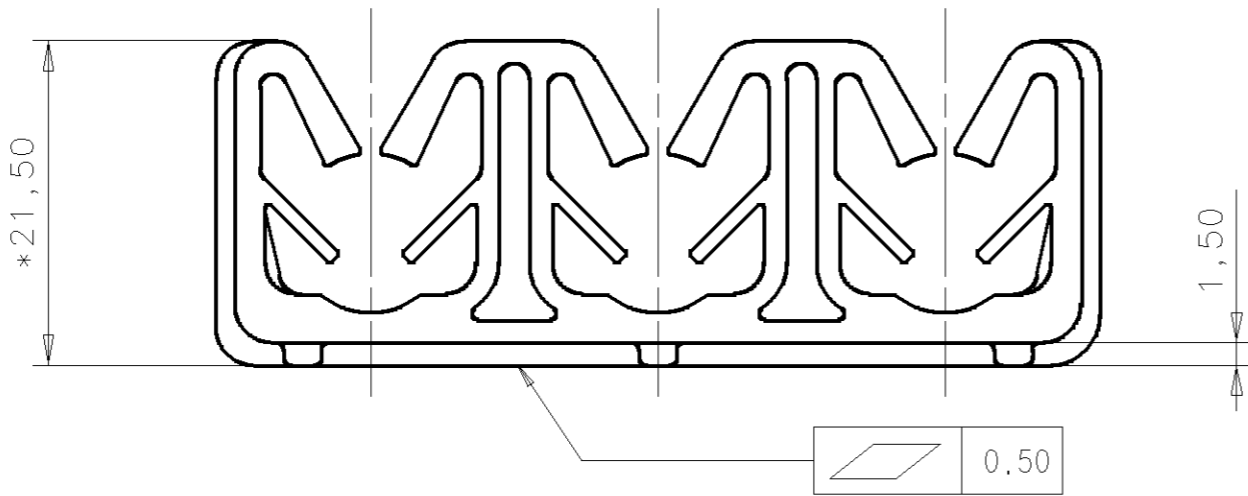
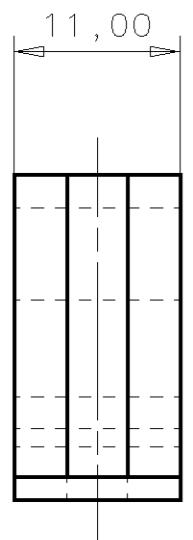
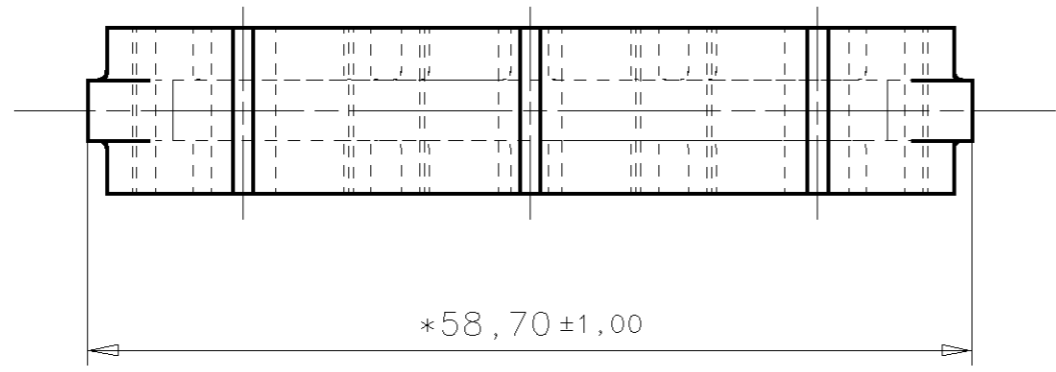
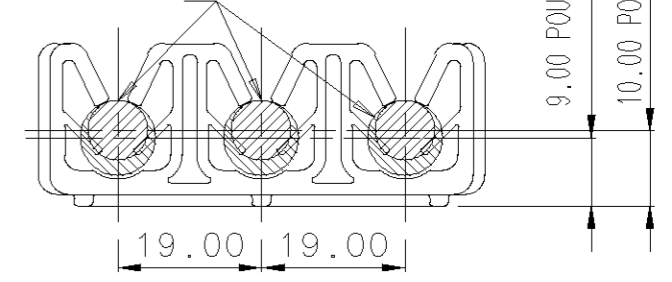


LES COTES * SONT A MESURER AVEC DES PIGES ϕ 8.00h8
 MISES EN PLACE DANS LES LOGEMENTS.
 * DIMENSIONS HAVE TO BE CHECKED WITH ϕ 8.00h8 GAUGES
 IN THEIR SEATS

EXEMPLE D'UTILISATION/USE EXAMPLE
 ECHELLE/SCALE : 1:1



POUR 3 CANALISATIONS POLYAMIDE
 FOR 3 POLYAMIDE PIPES
 ϕ 8.00 OU/OR ϕ 10.00



Dd	--	INTERNATIONAL DRAWING	26/03/09	FA
Dc	--	AJOUT EFFORTS	11-10-00	MS
Db	--	MISE A JOUR	07/06/00	
Da	--	MISE A JOUR / B.E	17-03-00	
IND	Nb DIM	DESCRIPTIONS / DESIGNATIONS	DATE	VISAS

If the addressee does not accept these conditions, please notify A.Raymond sender immediately.
Si problème de compréhension, merci de demander la version française à A.Raymond avant toute utilisation.
 This drawing and all information (the "Drawing") disclosed are the exclusive property of A.Raymond.
 By using this Drawing the Addressee acknowledges and accepts that this Drawing
 (1) is covered by A.Raymond intellectual property rights or know-how, and,
 (2) is provided under the following conditions who represent a Deposit Agreement.
 This Drawing is for Addressee' internal use only limited to its estimation.
 Without prior written consent of A.Raymond, no permission or rights for any purpose, is hereby granted, such as, without any limitation,
 (1) the copy, in part or entirely,
 (2) and/or the presentation, in part or entirely, to any other third party outside the Addressee' company or in the company but with no interest
 (3) and/or the distribution of the Drawing, in part or entirely, in any medium
 (4) and/or the creation of any derivative work.
 In case of breach of these conditions, Addressee shall indemnify A.Raymond from and against all damages (compensatory or consequential),
 costs, expenses and charges, caused or arising out of or attributable to its willful misconduct, fraud, negligence,
 infringement of A.Raymond' Intellectual Property rights.

FORMAT		SCALE/ECH	TH/EP(mm)	VOL(mm3)	WEIGHT/POIDS(g)	SHEET/PLANCHE	TOLERANCE dimension / angle	DATE
A3		1:1				1/1	± 0.50 5	13-03-1996

SURFACE TREATMENT OR COLOR / TRAITEMENT DE SURFACE OU COULEUR:
Naturel

MATERIAL TREATMENT / TRAITEMENT STRUCTURAL:	ACHIEVED/REALISE: B VIRGONA
SANS	VISA:
MATERIAL / MATIERE:	APPROVED/APPROUVE: P PITTON
PEHD 4401 (Type Eltex A 5006 FN 1285)	VISA:
TITLE / LIBELLE: SUPPORT TUBES TRIPLE A SOUDER 3-PIPES CLIP TO WELD	PATENTS / BREVETS:

CUSTOMER DATA / REF. CLIENT:	 A Raymond 113, cours Berriat .BP 157 .38019 Grenoble cedex 1 France ; Tel 04 76 33 49 49 ; Fax 04 76 48 20 50
NUMBER / NUMERO: 057255 .002	

I-Deas MS10 CAD FILE DO NOT MODIFY / PLAN REALISE EN CAO I-Deas MS10 NE PAS MODIFIER MANUELLEMENT

<http://www.cergy-vis.fr>

[CERGY-VIS]
 ET SI ON PARLAIT SERVICE

VERIFIER L'ECHELLE APRES PHOTOCOPIE / BEWARE SCALE AFTER COPY