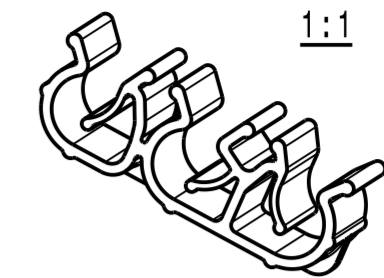


**Kennzeichnung: / Identification:**

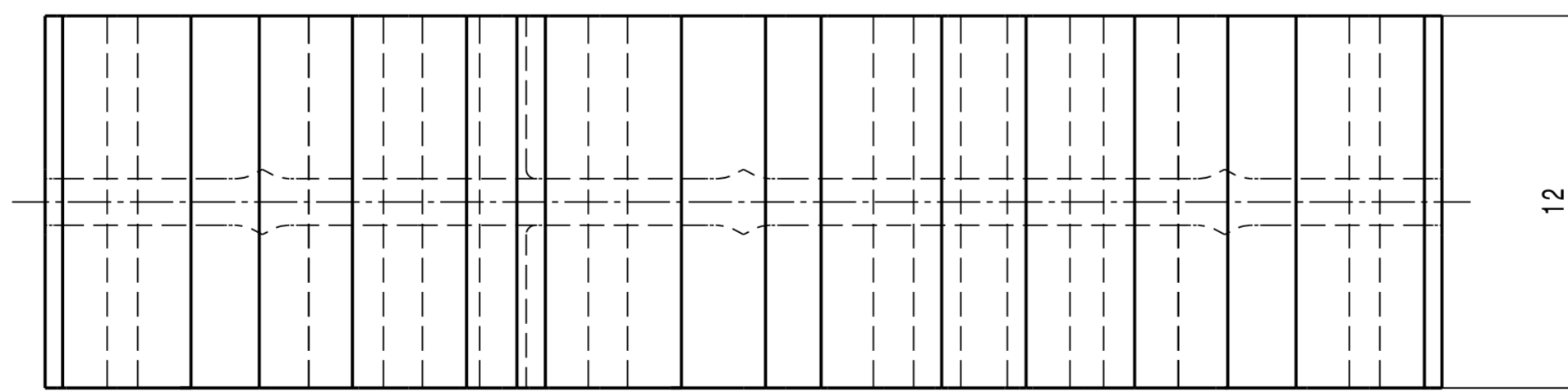
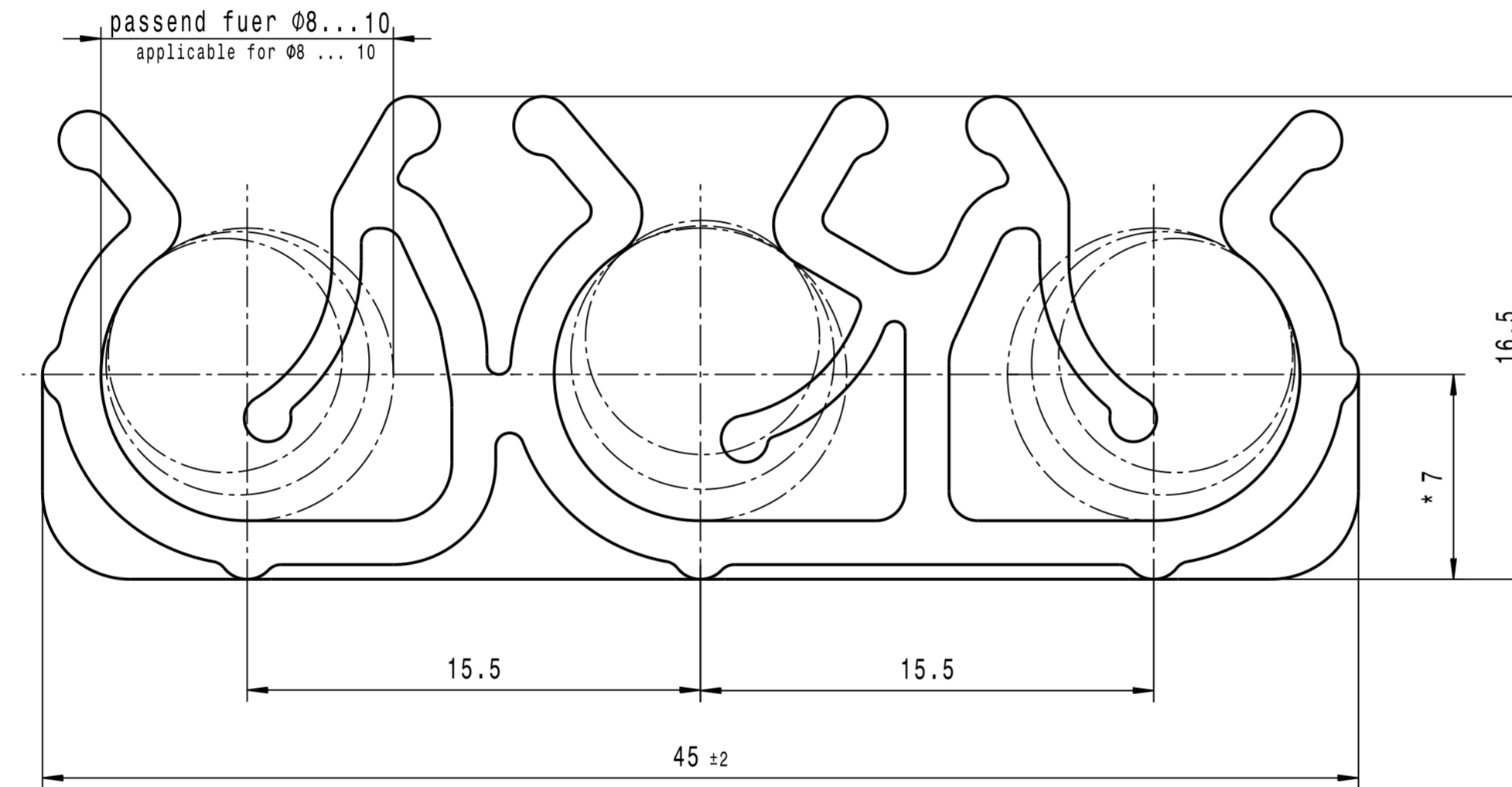
Hersteller - Code  
 Mfr. - Code  
 Werkstoff - Code VDA 260 > POM <  
 Material - Code



Unbemasste Geometrien sind dem 3D-Datensatz zu entnehmen  
 Undimensioned geometry must be taken from 3D-data

\* Masse sind bei eingedrueckten Pruefstiften Ø10 zu messen  
 Dimensions must be measured with preassembled gauge plug Ø10

passend fuer Rohr- oder Schlauch- Ø8 ... Ø10 (3x)  
 applicable for pipe- or hose diameter 8 ... 10 (3x)



Rev.	Anzahl/ quantity	Aenderungsbeschreibung / modification description	Datum/date	Name
Ba	-	Zeichnung ueberarbeitet nach AR- Gruppenstandard, Teil unveraendert	11.06.14	Pr

**ARaymond**  
 A RAYMOND GmbH & Co.KG  
 Teichstrasse 57  
 Germany - 79511 Loerrach  
 Phone +49 (0) 7621 174-0  
 Fax +49 (0) 7621 174-2 25

Bei Versandproblemen besorgen Sie bitte beim Absender die deutsche Fassung vor jeder Anwendung.  
**"CONDITIONS OF USE"**  
 This drawing and all information (the "Drawing") disclosed are the exclusive property of ARaymond. By using this Drawing the Addressee acknowledges and accepts that this Drawing (1) is covered by ARaymond Intellectual Property rights or know-how and (2) is provided under the following conditions who represent a Deposit Agreement. This Drawing is for Addressee internal use only limited to its estimation. Without prior written consent of ARaymond, no permission or rights for any purpose, is hereby granted, such as, without any limitation, (1) the copy, in part or entirely, (2) and/or the presentation, in part or entirely, to any other third party outside the Addressee company or in the company but with no interest (3) and/or the distribution of the Drawing, in part or entirely, in any medium (4) and/or the creation of any derivative work. In case of breach of these conditions, Addressee shall indemnify ARaymond from and against all damages (compensatory or consequential), costs, expenses and charges, caused or arising out of or attributable to its willful misconduct, fraud, negligence, infringement of ARaymond Intellectual Property rights, if the Addressee does not accept these conditions, please notify ARaymond sender immediately.

Intellectual Property rights	vorbehalten / all rights reserved		Classification Code	BCA--							
Ersatz fuer/ substitute for	20040.633/2/20.09.01	Entw.Ref./ dev.ref.	Projekt-Nr./ project no.	28774-K							
Masstab/ scale	5:1	Format	A2	Allgemeintoleranz/ general tolerance	sh. Tabelle / see table	Datum/ date	11.06.2014	Erstellt von/ prepared by	Preuß		
Projektion / projection		ALL DIMENSIONS ARE IN MILLIMETERS	Freigegeben/ approved	20140623061817	Bleedhöhe/ mat. thickness	-	Volumen/ volume (mm³)	2779	Gewicht/ weight (g)	3.9	
Oberfl./ finish										Oberfl. Code/ finish code	

Werkstoffbehandl./ material treatment

Werkstoff/ material POM - H - Standard  
 Mat. code 5000

Benennung/ title  
 Leitungshalter  
 fuel line clip - B256

Teil-Nr./ part no.	020040-0-00	Drawing type	C:Customer		
Kundenteile-Nr. / customer part no.		Blatt / sheet	1 / 1		
Ausfuhrung / Execution		CAD system & version	CATIA V5 R19	Dateiname / filename	020040-0C00

>400 <= 1000	±2
>120 <= 400	±1.5
> 30 <= 120	±1
> 6 <= 30	±0.5
<= 6	±0.25
Winkel / Angle	±3'

Allgemeintoleranzen fuer Nennmae ohne Toleranz.  
 General tolerances for nominal dimensions without specified tolerance.

020040-0-00	Schwarz black	SW	7000
Teil-Nummer / Part-no.	Oberflaeche / Farbe / Finish / colour	Kennzahl/ Code number	