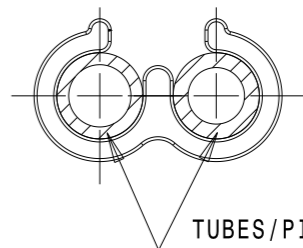


Variant	Matières / Materials	Traitements structuraux / Material treatments	Finitions / Finishes	Poids / Weight (g)
01	POMC 0900	Sans Without	Naturel Natural	0,6
02	POMC 0900	Sans Without	Noir Black	0,6
03	POMC 1300	Sans Without	Naturel Natural	0,6
04	POMC 1300	Sans Without	Noir Black	0,6
05	POMC 0210	Sans Without	Noir Black	0,6

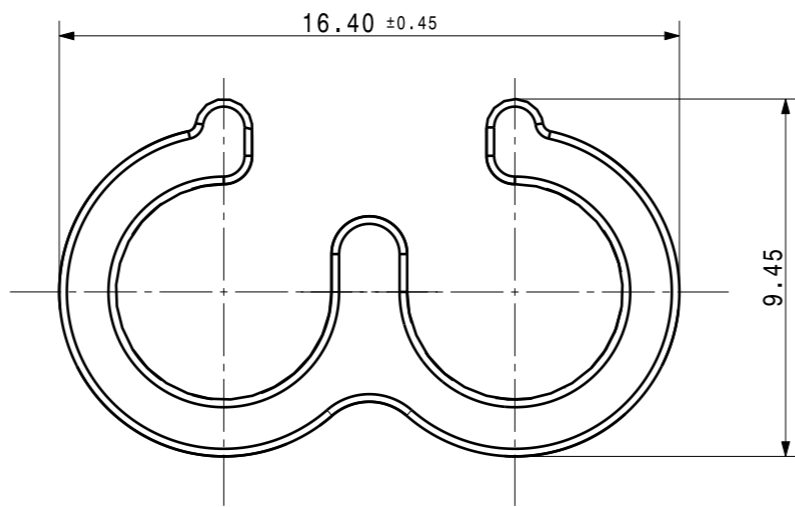


Une consultation préalable de A.Raymond SARL est nécessaire pour toute mise en place de la pièce en automatique.  
Automatic processing of the part requires prior consultation with A.Raymond SARL.



TUBES/PIPES Ø6.00 A/TO 7.00 mm

EXEMPLE D'UTILISATION/USE CONDITION  
ECHELLE/SCALE : 2:1



**A Raymond**  
113 cours Berriat BP 157  
France - 38019 Grenoble cedex 1  
Tel +33 (0) 4 76 33 49 49  
Fax +33 (0) 4 76 78 20 50

Si problème de compréhension, merci de demander la version française à A.Raymond avant toute utilisation.  
"CONDITIONS OF USE"  
This drawing and all information (the "Drawings") disclosed are the exclusive property of A.Raymond. By using this Drawing the Addressee acknowledges and accepts that this Drawing (1) is covered by A.Raymond intellectual property rights or know-how and (2) is provided under the following conditions who represent a Deposit Agreement. This Drawing is for Addressee internal use only limited to its estimation. Without prior written consent of A.Raymond, no permission or rights for any purpose, is hereby granted, such as, without any limitation, (1) the copy, in part or entirely (2) and/or the presentation, in part or entirely, to any other third party outside the Addressee company or in the company but with no interest (3) and/or the distribution of the Drawings, in part or entirely, in any medium (4) and/or the creation of any derivative work. In case of breach of these conditions, Addressee shall indemnify A.Raymond from and against all damages (compensatory or consequential), costs, expenses and charges, caused or arising out of or attributable to its willful misconduct, fraud, negligence, infringement of A.Raymond Intellectual Property rights. If the Addressee does not accept these conditions, please notify A.Raymond sender immediately.

Brevets / Patent rights		Classification code <b>BBA - -</b>	
N° Projet / Project No. -		Origine / Origin	Chef de projet / Project Manager
Echelle / scale <b>5:1</b>	Format <b>A3</b>	Tolerance / General tolerance Dimension Angle <b>± 0.25 ± 2.00°</b>	Date <b>17.03.2003</b>
<b>ALL DIMENSIONS ARE IN MILLIMETERS</b>		Approuvé / Approved <b>20110505131950</b>	Realise / Prepared by <b>AILHAS.F</b>
Epaisseur / Mat. thickness -		Volume (mm³) <b>458</b>	Poids / Weight (g) -

Finition /finish  
**Voir nomenclature  
See parts list**

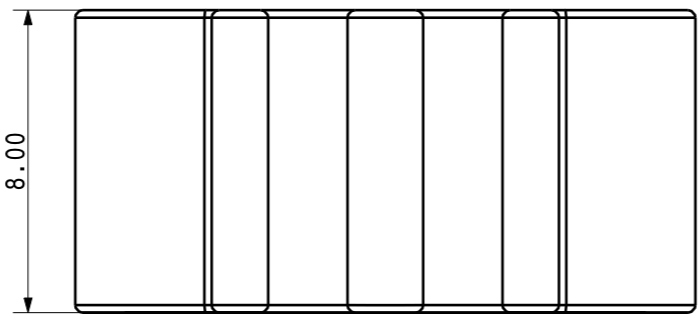
Traitement structural / Material treatment  
**Voir nomenclature  
See parts list**

Matière / Material  
**Voir nomenclature  
See parts list**

Libelle / Title  
**Ecarteur fixe  
Fixed spacer clip**

Reference /Part no.  
**053760-0-01**

Drawing type  
**C:Customer**



VUE ISO/3D VIEW  
ECHELLE/SCALE : 1:1



Af	-	UPDATED DRAWING (PLM SYSTEM)	05.05.11	FAI
REV.	Quant.	Indice / revision description	Date	Name

Ref. client / Customer part no.  
CAD system & version **CATIA V5 R19 SP7**  
Nom fichier / File name **053760-0C01**

VERIFIER L ECHELLE APRES PHOTOCOPIE / BEWARE SCALE AFTER COPY