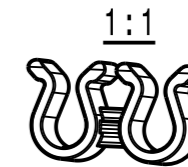


Kennzeichnung: / Identification:

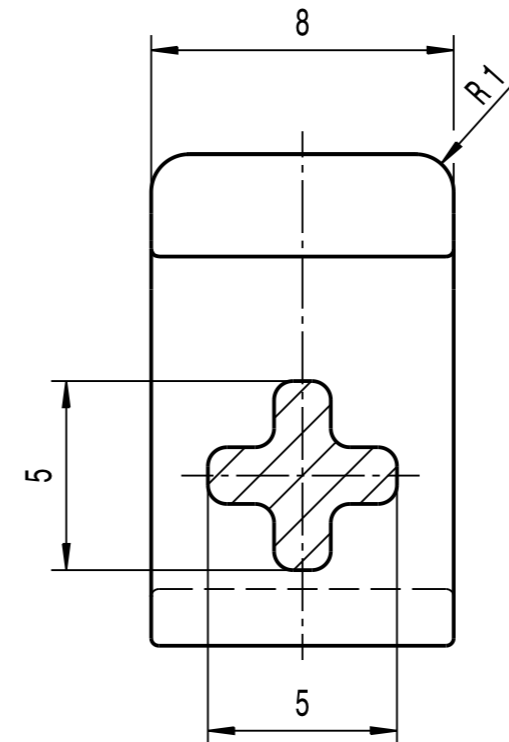
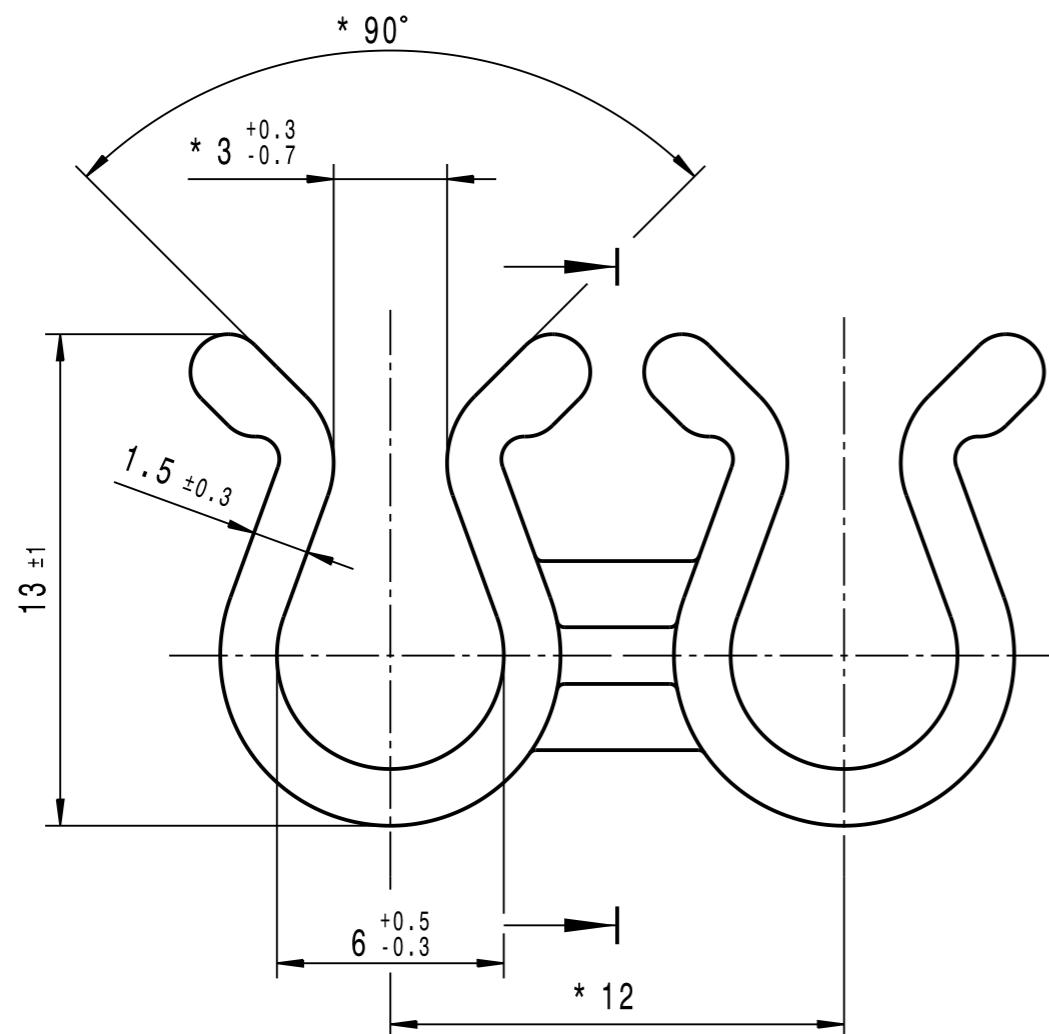
Hersteller - Code

Mfr. - Code



fuer Rohr- Ø6 (2x)  
for pipe- Ø6 (2x)

\* Masse sind bei eingedruecktem Pruefstift  
Ø6 zu messen  
Dimensions must be measured with  
preassembled test pin Ø6



-	-	-	-	-
-	-	-	-	-
-	-	-	-	-
-	-	-	-	-
Ba	-	Zeichnung ueberarbeitet nach AR- Gruppenstandard, Teil unveraendert	24.10.13	Pr

Rev.	Anzahl/ quantity	Aenderungsbeschreibung / modification description	Datum/date	Name
------	------------------	---	------------	------

**ARaymond**  
A RAYMOND GmbH & Co.KG  
Teichstrasse 57  
Germany - 79511 Loerrach  
Phone +49 (0) 7621 174-0  
Fax +49 (0) 7621 174-2 25

Bei Verstaendnisproblemen beantragen Sie bitte beim Absender die deutsche Fassung vor jeder Anwendung.  
"CONDITIONS OF USE"  
This drawing and all information (the "Drawing") disclosed are the exclusive property of ARaymond. By using this Drawing the Addressee acknowledge and accept that this Drawing (1) is covered by ARaymond intellectual property rights or know-how and (2) is provided under the following conditions who represent a Deposit Agreement. This Drawing is for Addressee internal use only limited to its estimation. Without prior written consent of ARaymond, no permission or rights for any purpose, is hereby granted, such as, without any limitation, (1) the copy, in part or entirely (2) and/or the presentation, in part or entirely, to any other third party outside the Addressee company or in the company but with no interest (3) and/or the distribution of the Drawings, in part or entirely, in any medium (4) and/or the creation of any derivative work. In case of breach of these conditions, Addressee shall indemnify ARaymond from and against all damages (compensatory or consequential), costs, expenses and charges, caused or arising out of or attributable to its willful misconduct, fraud, negligence, infringement of ARaymond Intellectual Property rights. If the Addressee does not accept these conditions, please notify ARaymond sender immediately.

Intellectual Property rights	vorbehalten / all rights reserved		Classification Code	BBA--
Ersatz fuer/ substitute for	016983000/B/12.06.03	Entw.Ref./ dev.ref.	Projekt-Nr./ project no.	40138-K
Masstab/ scale	5:1	Format	A3	Allgemeintoleranz/ general tolerance
		Datum/ date		24.10.2013
		Erstellt von/ prepared by		Preuß
Projektion / projection	ALL DIMENSIONS ARE IN MILLIMETERS		Freigegeben/ approved	20131112104731
		Blechdicke/ mat. thickness	Volumen/ volume (mm³)	809
		DIN EN 10140	Gewicht/ weight (g)	-

Oberfl./ finish

Werkstoffbehandl./ material treatment

Werkstoff/ material: PA 66 waermestabil / PA 66 heat stabilized  
Mat. code: 2003

Benennung/ title: Rohrklemme clip

Teil-Nr./ part no.: 016983-0-00  
Drawing type: C:Customer

016983-0-00	schwarz / black	SW	7000
Teil-Nummer / Part-no.	Oberflaeche / Farbe / Finish / colour	Kennzahl/ Code number	
Ausfuehrung / Execution			

Kundenteile-Nr. / customer part no.: -  
Blatt / sheet: 1 / 1  
CAD system & version: CATIA V5 R19  
Dateiname / filename: 016983-0c00