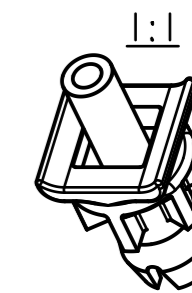
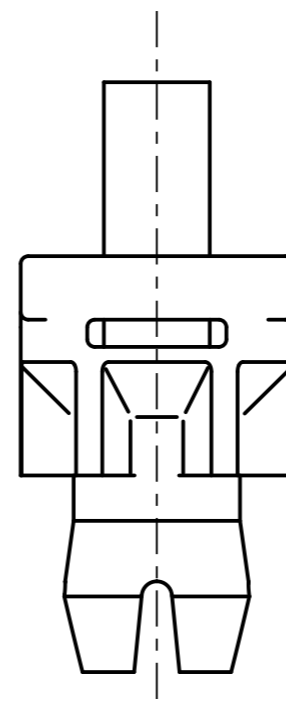
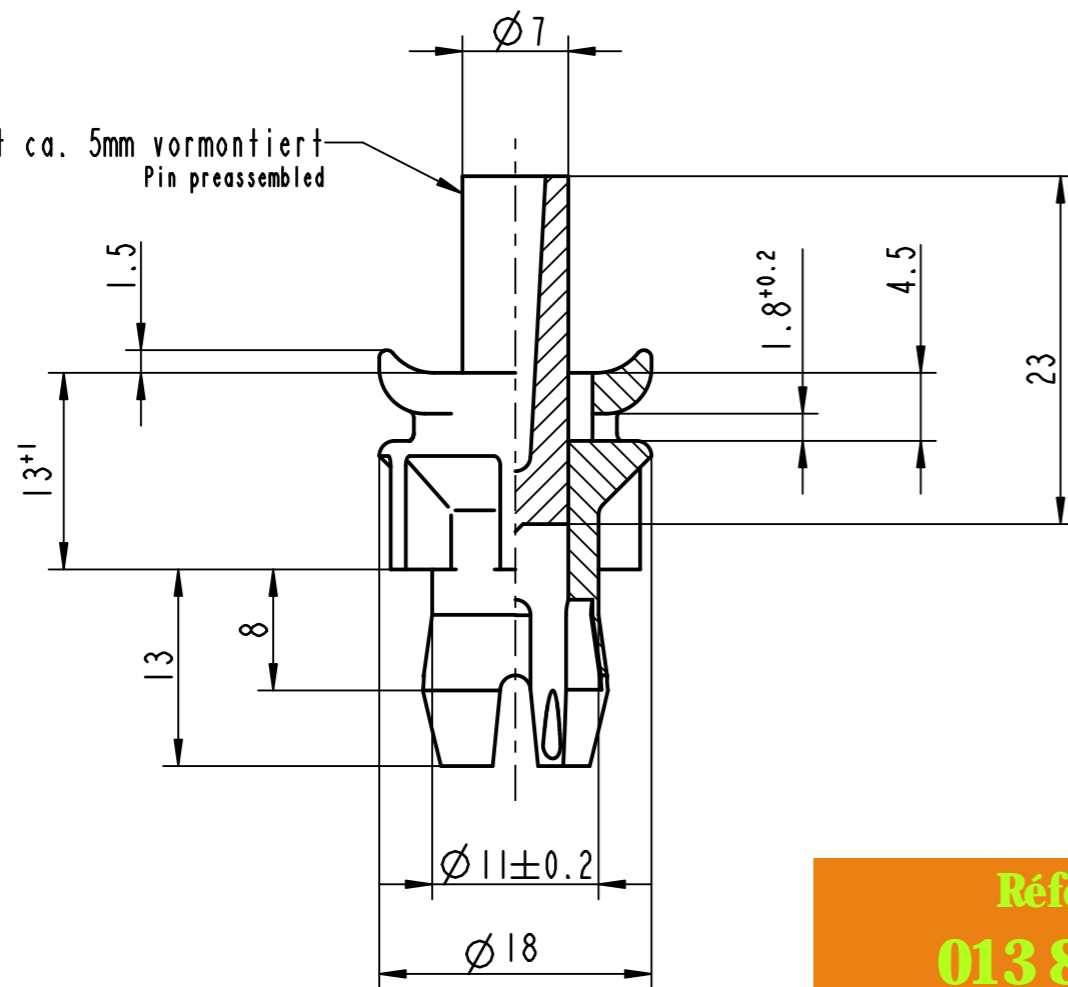
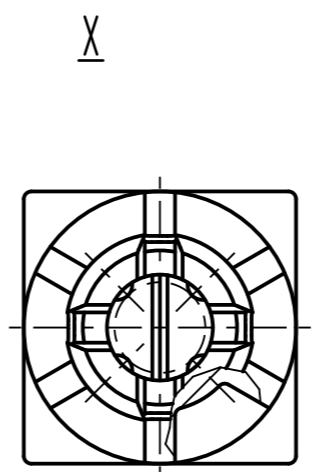
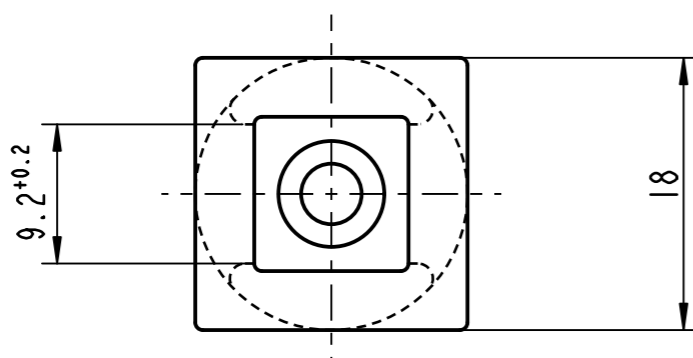


Stift ca. 5mm vormontiert
Pin preassembled



Référence
013 888 001
Matière Polyamide 66 Noir
(PA66-Nr)

unbemasste Geometrien sind dem
3D-Datensatz zu entnehmen
undimensioned geometries must
be taken from the 3D-data



>400 <= 1000	±2
>120 <= 400	±1.5
> 30 <= 120	±1
> 6 <= 30	±0.5
<= 6	±0.25
Winkel / Angle	±3°

Allgemeintoleranzen fuer
Nennmasze ohne Toleranz.
General tolerances for
nominal dimensions without
specified tolerance.

<http://www.cergy-vis.fr>

[CERGY-VIS]
 ET SI ON PARLAIT SERVICE

013888-0-00	schwarz black	SW	7000
Teil-Nr. / part no.	Oberflaeche / Farbe / finish / colour	Oberfl. Code/ finish code	
Ausfuehrung / Execution			

-	-	-	-	-
-	-	-	-	-
-	-	-	-	-
-	-	-	-	-

Da	-	Zeichnung ueberarbeitet nach AR-Gruppenstandard, Teil unveraendert	20.07.11	ju
Rev.	Anzahl/ quantity	Aenderungsbeschreibung / modification description	Datum/date	Name

A RAYMOND GmbH & Co.KG

Teichstrasse 57
 Germany - 79511 Loerrach
 Phone +49 (0) 7621 174-0
 Fax +49 (0) 7621 174-225

Bei Verstaendnisproblemen beantragen Sie bitte beim Absender die deutsche Fassung vor jeder Anwendung.
"CONDITIONS OF USE"
 This drawing and all information (the "Drawing") disclosed are the exclusive property of A.Raymond.
 By using this Drawing the Addressee acknowledges and accepts that this Drawing
 (1) is covered by A.Raymond' intellectual property rights or know-how and
 (2) is provided under the following conditions who represent a Deposit Agreement.
 This Drawing is for Addressee' Internal use only limited to its estimation.
 Without prior written consent of A.Raymond, no permission or rights for any purpose, is hereby granted, such as, without any limitation,
 (1) the copy, in part or entirely
 (2) and/or the presentation, in part or entirely, to any other third party outside the Addressee' company or in the company but with no interest
 (3) and/or the distribution of the Drawing, in part or entirely, in any medium
 (4) and/or the creation of any derivative work.
 In case of breach of these conditions, Addressee shall indemnify A.Raymond from and against all damages (compensatory or consequential), costs, expenses and charges, caused or arising out of or attributable to its willful misconduct, fraud, negligence, infringement of A.Raymond' intellectual property rights. If the Addressee does not accept these conditions, please notify A.Raymond' sender immediately.

Schutzrechte/ patent rights	vorbehalten / all rights reserved		Classification Code	YR---
Ersatz fuer/ substitutie for	13888.687/4/11.06.97	Entw.Ref./ dev.ref.	EP 3314	Projekt-Nr./ project no. 12531-K

Masstab/ scale	Format	Allgemeintoleranz/ general tolerance	Datum/ date	20.07.2011
2:1	A3	siehe Tabelle/see table	Erstellt von/ prepared by	A. Junge

Projektion / projection	ALL DIMENSIONS ARE IN MILLIMETERS	Freigegeben/ approved	20110722083209
	Blechedicke/ mat. thickness DIN EN 10140	Volumen/ volume (mm³)	3278
		Gewicht/ weight (g)	3.38

Oberfl. / finish	-	Oberfl. Code/ finish code	-
---------------------	---	------------------------------	---

Werkstoffbehandl./ material treatment	-
--	---

Werkstoff/ material	PA 12 halbflexibel PA 12 semi-flexible	Mat. code	3000
------------------------	---	-----------	------

Benennung/
title **Distanzhalter fuer Kabelband**
 Distance-holder for cable strap

Teil-Nr. / part no.	013888-0-00	Drawing type	C:Customer
------------------------	-------------	--------------	------------

Kundenteile-Nr. / customer part no.	-	Blatt / sheet	1 / 1
CAD system & version	ProE WF3	Dateiname / filename	013888-0C00