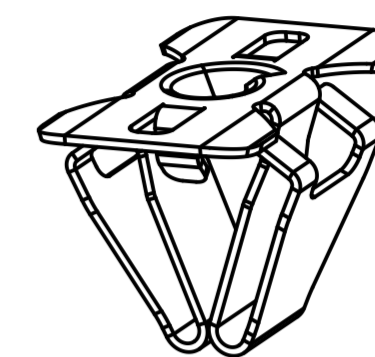
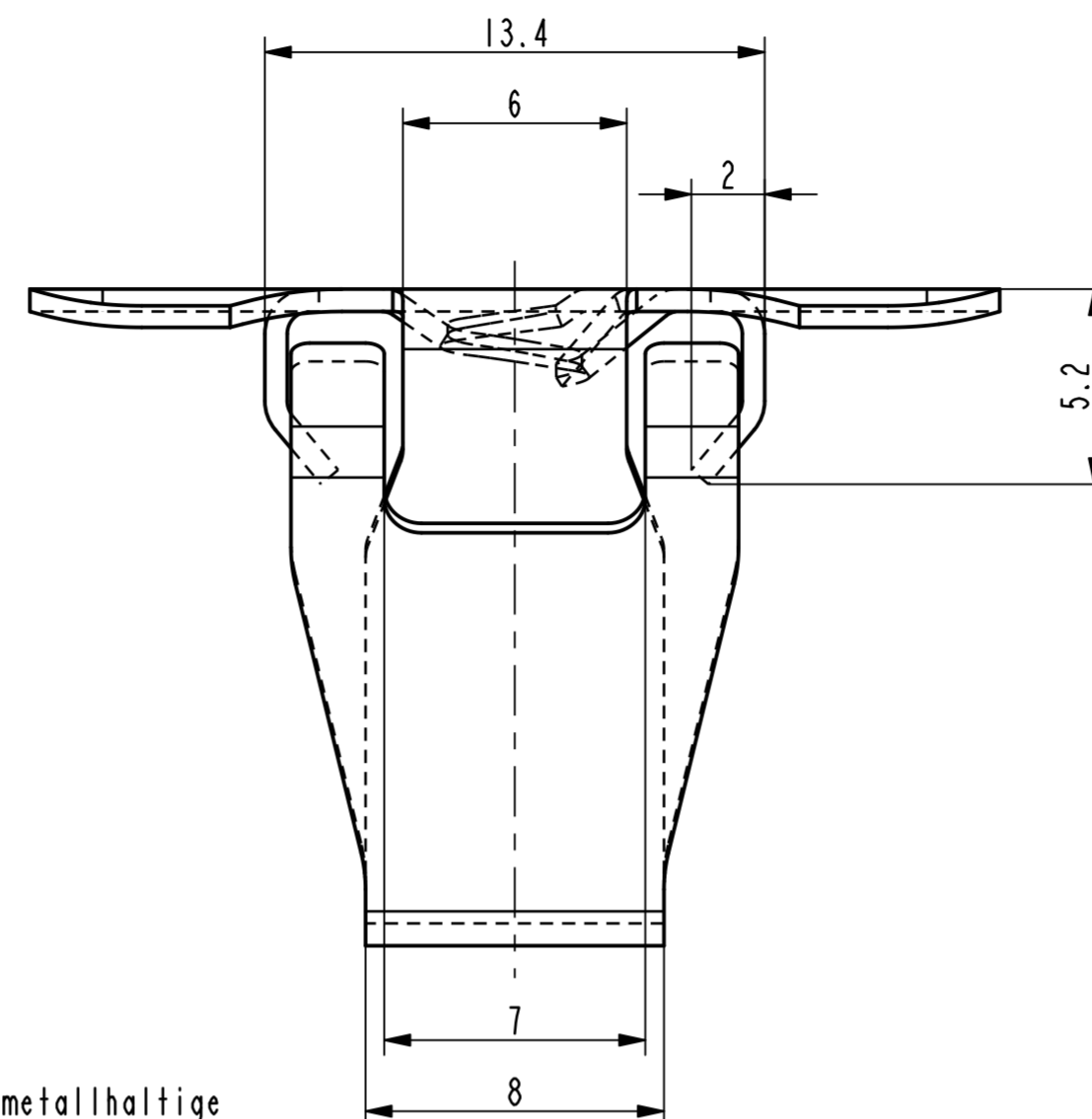
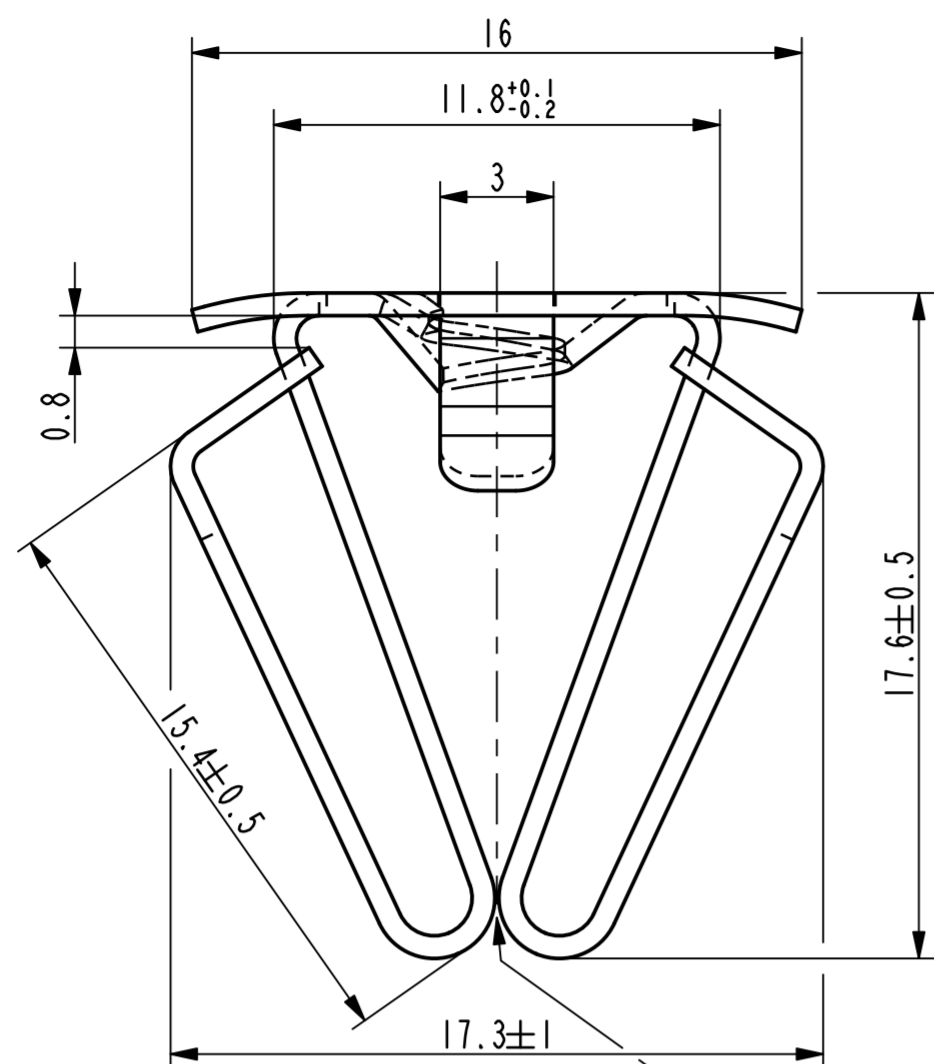


Vor Auslegung einer automatisierten Verarbeitung des Teils sollte Rücksprache mit Fa. ARaymond gehalten werden.
Fully automatic processing of the part requires prior consultation with ARaymond.



Isometrische Ansicht / isometric view
2:1

Ueberbrueckung der Oeffnung durch metallhaltige Korrosionsschutzbeschichtung zulaessig / surface finish bridging permissible

Ab	2x	1xOberflaechenvariante hinzugefuegt, 1xBemerkung hinzugefuegt	25.05.11	Ru
Rev.	Anzahl/quantity	Aenderungsbeschreibung / modification description	Datum/date	Name



Teichstrasse 57
Germany - 79511 Loerrach
Phone +49 (0) 7621 174-0
Fax +49 (0) 7621 174-225

Bei Verstaendnisproblemen beantragen Sie bitte beim Absender die deutsche Fassung vor jeder Anwendung.
"CONDITIONS OF USE"
This drawing and all information (the "Drawing") disclosed are the exclusive property of ARaymond. By using this Drawing the Addressee acknowledges and accepts that this Drawing (1) is covered by ARaymond's intellectual property rights or know-how and (2) is provided under the following conditions which represent a Deposit Agreement. This Drawing is for Addressee's internal use only limited to its estimation. Without prior written consent of ARaymond, no permission or rights for any purpose, is hereby granted, such as, without any limitation, (3) the copy, in part or entirely, (4) and/or the presentation, in part or entirely, to any other third party outside the Addressee's company or in the company but with no interest (5) and/or the distribution of the Drawing, in part or entirely, in any medium (6) and/or the creation of any derivative work. In case of breach of these conditions, Addressee shall indemnify ARaymond from and against all damages (compensatory or consequential), costs, expenses and charges, caused or arising out of or attributable to its willful misconduct, fraud, negligence, infringement of ARaymond's intellectual property rights. If the Addressee does not accept these conditions, please notify ARaymond's sender immediately.

Intellectual property rights	vorbehalten / all rights reserved			Classification code	AC-AE
Ersatz fuer/ substitute for	207999.C.01/Aa/31.10.2006	Entw./ dev. ref.		Projekt-Nr./ project no.	
Masstab/ scale	5:1	Format	A2	Datum/ date	25.05.2011
Projektion / projection		Allgemeintoleranz/ general tolerance	±0.3 / ±5°	Erstellt von/ prepared by	Ruzicka
Bleedhöhe/ min. thickness DIN EN 10140	0.60	Freigegeben/ approved	20110526110621	Volumen/ volume (mm³)	552.9
				Gewicht/ weight (g)	4.4

Oberfl./ finish	metallhaltige Korrosionsschutzbeschichtung, Farbe silver, GZ metallic corrosion protection coated, colour silver, lubricated	Oberfl. Code/ finish code	4004
-----------------	---	---------------------------	------

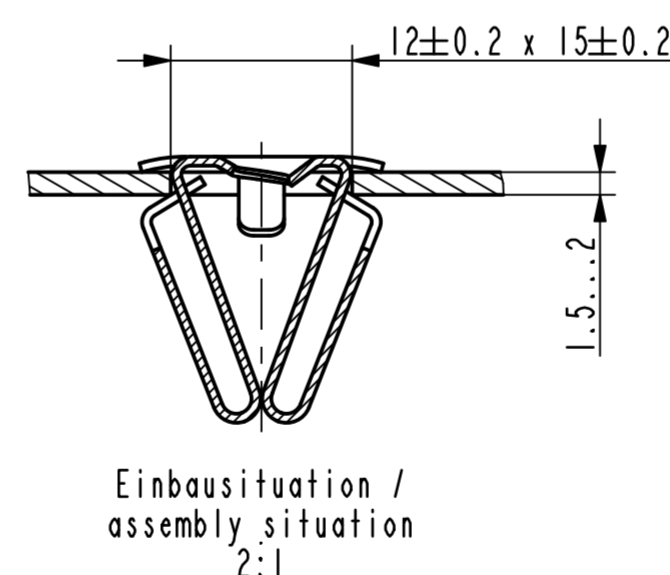
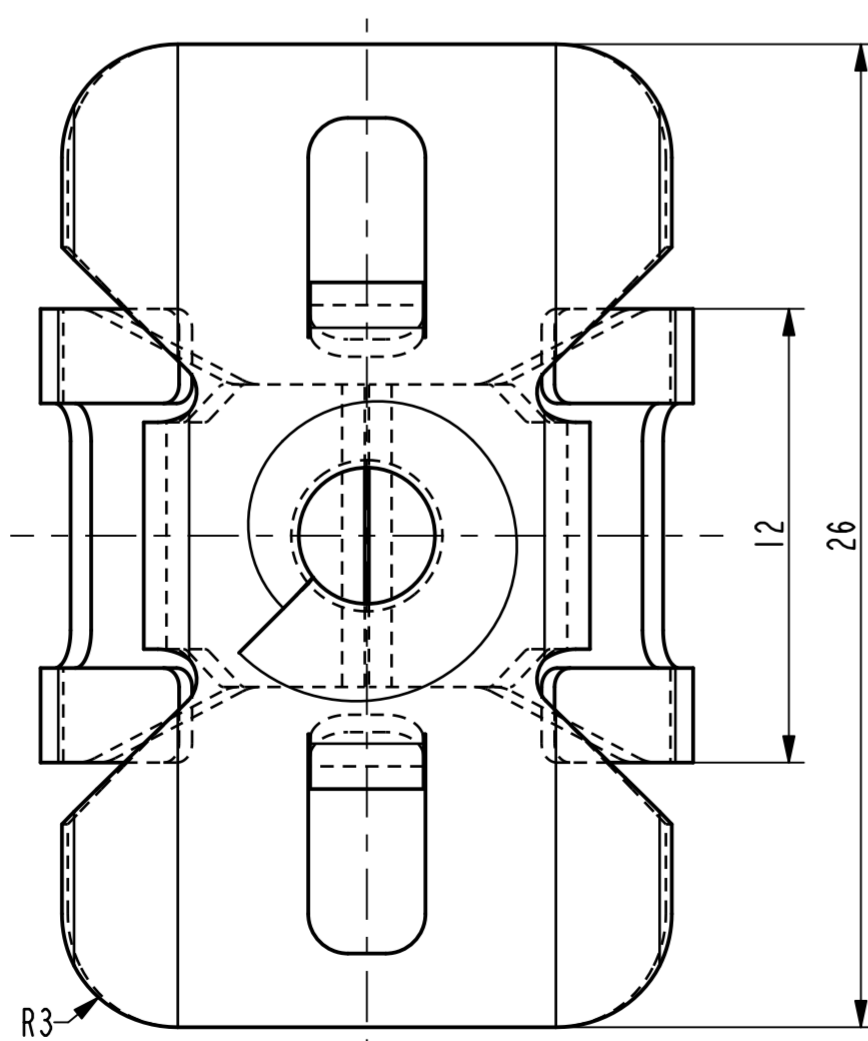
Werkstoffbehandl./ material treatment	zwischenstufenverguetet / austempered 435 ... 535 HV 5		
---------------------------------------	---	--	--

Werkstoff/ material	C67S DIN EN 10132-4	Mat. code	1000
---------------------	---------------------	-----------	------

Bezeichnung/ title
Steckklammer fuer Gewinde EN ISO 1478-ST4.8
special fastener for thread EN ISO 1478-ST4.8

Teil-Nr./ part no.	207999-0-01	Drawing type	C:Customer
--------------------	-------------	--------------	------------

Kundenteile-Nr. / customer part no.	-	Blatt / sheet	1 / 1
CAD system & version	ProE WF4	Dateiname / filename	207999-0C00



Einbausituation / assembly situation
2:1

<http://www.cergy-vis.fr>
[CERGY-VIS]
ET SI ON PARLAIT SERVICE

Ab	207999-0-02	metallhaltige Korrosionsschutzbeschichtung, Farbe schwarz metallic corrosion protection coated, colour black	5451
Teil-Nr. / part no.		Oberflaeche / Farbe / finish / colour	Oberfl. Code/ finish code
		Ausfuhrung / Execution	