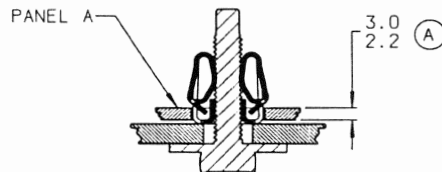
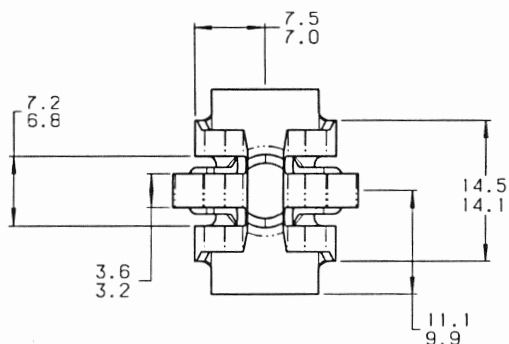


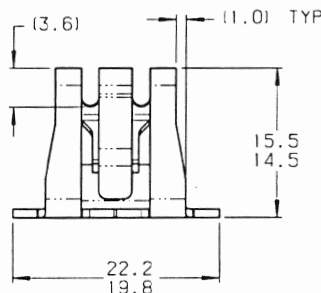
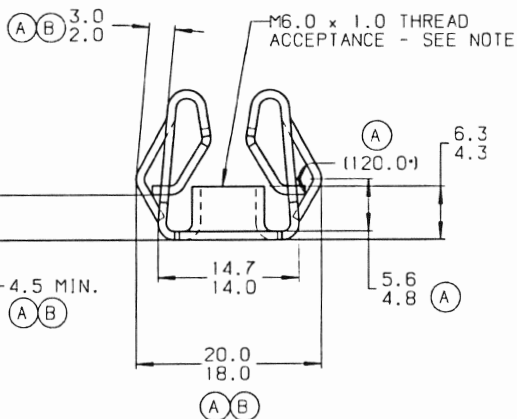
D99042-M61

REV B



TYPICAL ASSEMBLY
SCALE: 1:1

RECOMMENDED HOLE
SIZE: 14.9mm SD. WITH
0.5mm CORNER RADI



REVISIONS

E.C.O.	REV	DESCRIPTION	DATE	DR	CK	APP
4143	A	(1120) ADDED	02/09/05	PS	DH	HR
		3.3/2.3 WAS 2.8/1.8				
		(4.5) WAS (3.1)				
		20.3/18.3 WAS 19.3/17.3				
		5.6/4.8 WAS 4.1/3.3				
		3.0/2.2 WAS 2.5/2.0				
		REDRAWN ON NEW FORMAT				
4534	B	NOTE ADDED	01/30/07	TT	MA	
		3.0/2.0 WAS 3.3/2.3				
		4.5 MIN. WAS (4.5)				
		20.0/18.0 WAS 20.3/18.3				

CONTROLLED
IF RED

NOTICE TO PERSONS RECEIVING THIS DRAWING AND/OR TECHNICAL INFORMATION:
TINNERMAN PALNUT ENGINEERED PRODUCTS CLAIMS PROPRIETARY RIGHTS TO THE MATERIAL DISCLOSED HEREON. THIS DRAWING AND/OR TECHNICAL INFORMATION IS ISSUED IN CONFIDENCE FOR ENGINEERING INFORMATION ONLY AND MAY NOT BE REPRODUCED OR USED TO MANUFACTURE ANYTHING SHOWN OR REFERRED TO HEREIN WITHOUT DIRECT AND WRITTEN PERMISSION FROM TINNERMAN PALNUT ENGINEERED PRODUCTS. THIS DRAWING AND/OR TECHNICAL INFORMATION IS THE PROPERTY OF TINNERMAN PALNUT ENGINEERED PRODUCTS AND IS LOANED FOR MUTUAL ASSISTANCE.

MARK TOOL:



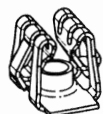
P.O. Box 2492
Hamilton, Ontario, Canada
L8N 3K1

PERFORMANCE SPECIFICATIONS

MAX INSERTION	35 LBS. TARGET 20-25 LBS.
MAX PREVAILING TORQUE - 1ST ON	0.9 Nm (7.97 lb-in)
MIN PREVAILING TORQUE - 1ST OFF	0.11 Nm (0.97 lb-in)
MIN PREVAILING TORQUE - 5TH OFF	0.11 Nm (0.97 lb-in)
MIN DESTRUCT TORQUE	15.0 Nm (132.76 lb-in)
PROOF LOAD	18.4 kN (OVER ø7.5 HOLE)

NOTE: TORQUE SPECIFICATIONS APPLY WHEN TESTED WITH M6.0 x 1.0 6C SCREW. PROPERTY CLASS 9.8 FINISH CM6280M

Référence
135 200 002
Matière Acier Magni 2.0
(CS-M2.0)



SCALE 1:1

<http://www.cergy-vis.fr>
[CERGY-VIS]
ET SI ON PARLAIT SERVICE

NOTE: MANUFACTURER'S IDENTIFICATION TO APPEAR ON FACE OF PART. DIMENSIONING AND TOLERANCING PER ASME Y14.5M.

DRAWN BY	DATE	CHECKED	SCALE	APPROVED
R. GUARASCIA	12/16/02	R. RANKIN RELEASED 01-13-03	2:1	H. RATTMANN 1ST. PROD. 01-13-03
MATERIAL	THICKNESS	HEAT TREAT	FINISH HARDNESS	
SAE 1050-1065	0.86	AUSIEMPER	Rc44-51	

NAME EXPANSION TYPE

SPECIAL FEATURES:

SHEET: 1	DWG NO	SIZE
OF: 1	D99042-M61	B