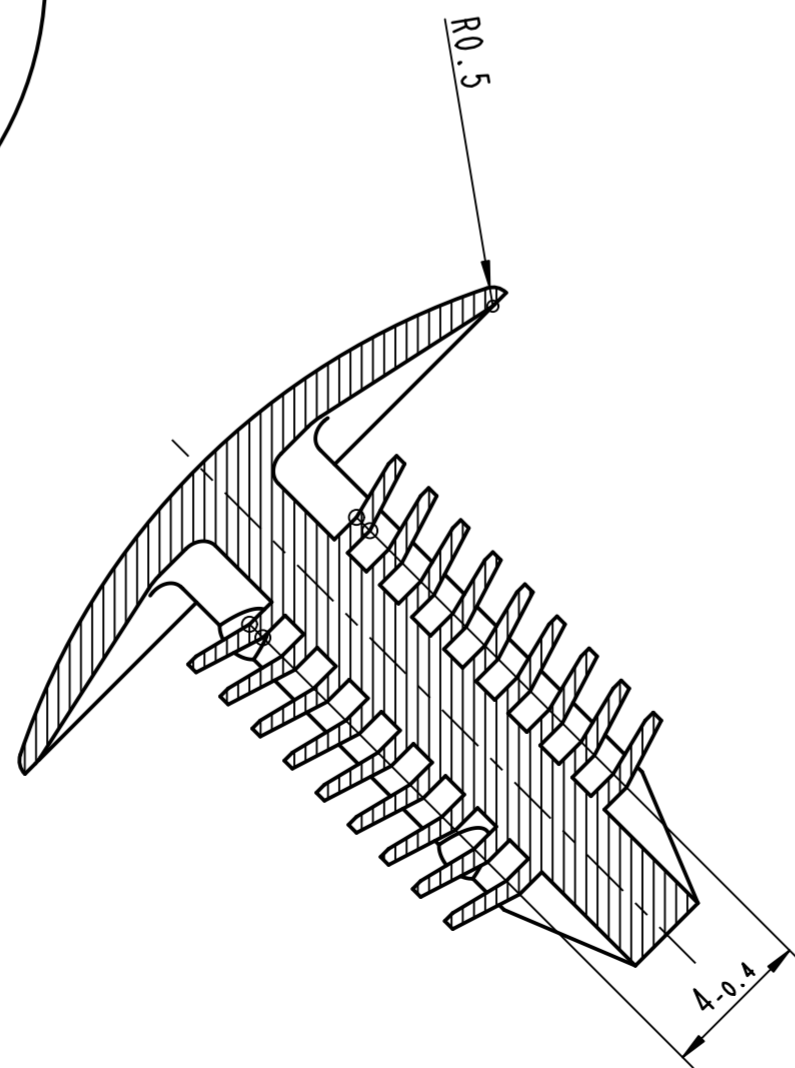
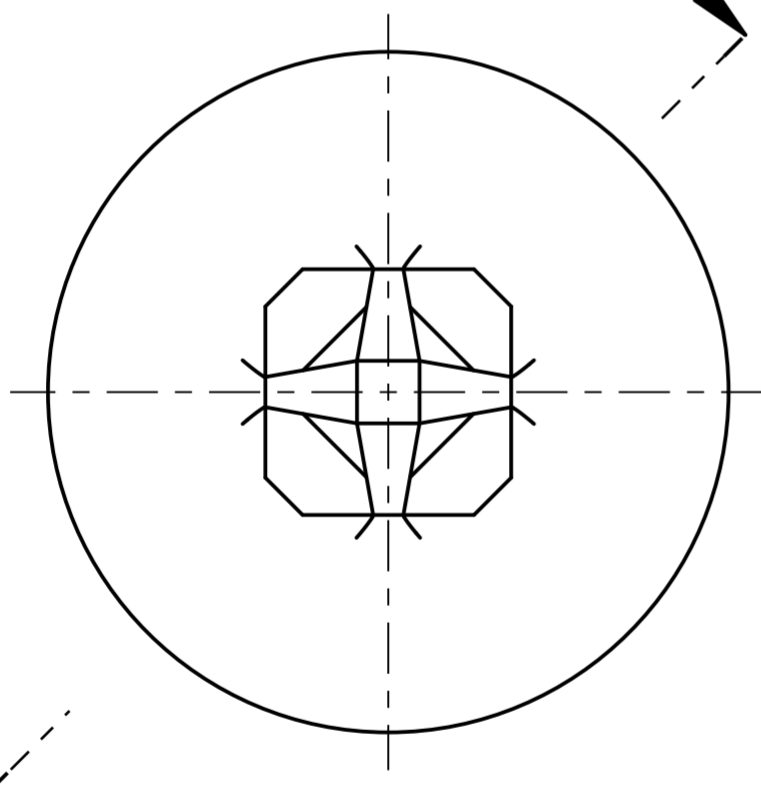


Ansicht / View X



Pruefvorschrift / Test specification

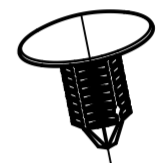
Loch- $\varnothing$  / hole diameter = 7  
 Blechdicke / Sheet thickness = 0.8  
 Pruefgeschwindigkeit / Testing speed = 100 mm / min  
 Montagekraft / Push-in-force = 50 Nmax.  
 Demontagekraft / Pull-off-force = 40 N . . . 80 N

Befest. - Loch =  $\varnothing 7^{+0.1}_{-0.2}$

Fastening hole

Befest. - Dicke = 1,9 . . . 8  
 Fastening thickness

1:1



Rev.	Anzahl/quantity	Aenderungsbeschreibung / modification description	Datum/date	Name
Fb	-	Detailmasse geloescht	04.05.11	MST
Fa	1x	Zeichnung ueberarbeitet nach AR-Gruppenstandard, Teil unver-aendert / Variante hinzu	25.08.10	ju



**A. Raymond**  
 GmbH & Co. KG

Teichstrasse 57  
 Germany - 79511 Loerrach  
 Phone +49 (0) 7621 174-0  
 Fax +49 (0) 7621 174-225

Bei Verstaeundnisproblemen beantragen Sie bitte beim Absender die deutsche Fassung vor jeder Anwendung.  
**"CONDITIONS OF USE"**  
 This drawing and all information (the "Drawing") disclosed are the exclusive property of A. Raymond. By using this Drawing the Addressee acknowledges and accepts that this Drawing (1) is covered by A. Raymond' intellectual property rights or know-how and (2) is provided under the following conditions who represent a Deposit Agreement. This Drawing is for Addressee' internal use only limited to its estimation. Without prior written consent of A. Raymond, no permission or rights for any purpose, is hereby granted, such as, without any limitation, (3) the copy, in part or entirely, (4) and/or the presentation, in part or entirely, to any other third party outside the Addressee' company or in the company but with no interest (5) and/or the distribution of the Drawing, in part or entirely, in any medium (6) and/or the creation of any derivative work. In case of breach of these conditions, Addressee shall indemnify A. Raymond from and against all damages (compensatory or consequential), costs, expenses and charges, caused or arising out of or attributable to its willful misconduct, fraud, negligence, infringement of A. Raymond' intellectual property rights. If the Addressee does not accept these conditions, please notify A. Raymond' sender immediately.

Schutzrechte/patent rights	vorbehalten / all rights reserved			Classification Code	CAAA-
Ersatz fuer/substitute for	018751 000, Ind. E v. 03.02.04	Entw.Ref./dev.ref.		Projekt-Nr./project no.	44024-K
Masstab/scale	5:1	Format	A2	Datum/date	25.08.2010
Projektion / projection	ALL DIMENSIONS ARE IN MILLIMETERS		Erstellt von/prepared by	A. Junge	
Bleechdicke/met. thickness	0.8	Freigegeben/approved	20110504150100		
DIN EN 10140		Volumen/volume (mm <sup>3</sup> )	553	Gericht/weight (g)	0.70

Oberfl./finish

Werkstoffbehandl./material treatment  
 konditioniert / conditioned  
 Wassergehalt: / water content: 1...3%

Werkstoff/material  
 PA 6 - Standard  
 Met. code  
 1000

Benennung/title  
 Stopfen  
 Plug

Teil-Nr./part no.  
 018751-0-00  
 Drawing type  
 Customer

Kundenteile-Nr. / customer part no.  
 -  
 Blatt / sheet  
 1 / 1  
 CAD system & version  
 ProE WF3  
 Dateiname / filename  
 018751-0C00

(Fa)	018751-0-04	RAL 7045	telegrau I grey	GA	4192
	018751-0-03	CNH 20001-640	grau grey	GA	4152
	018751-0-02	CNH 20006	grau grey	GA	4138
	018751-0-01	-	schwarz black	SW	7000
	018751-0-00	AC 20442-500	grau grey	GA	4089
Teil-Nummer / Part-No.	Spezial Farbcodes / Special - Colourcode	Oberflaeche / Farbe / Finish / colour	Kennzahl / Code number	Ausfuhrung / Execution	