

im Auswerferbereich keine Radien  
no radii in the area of ejector

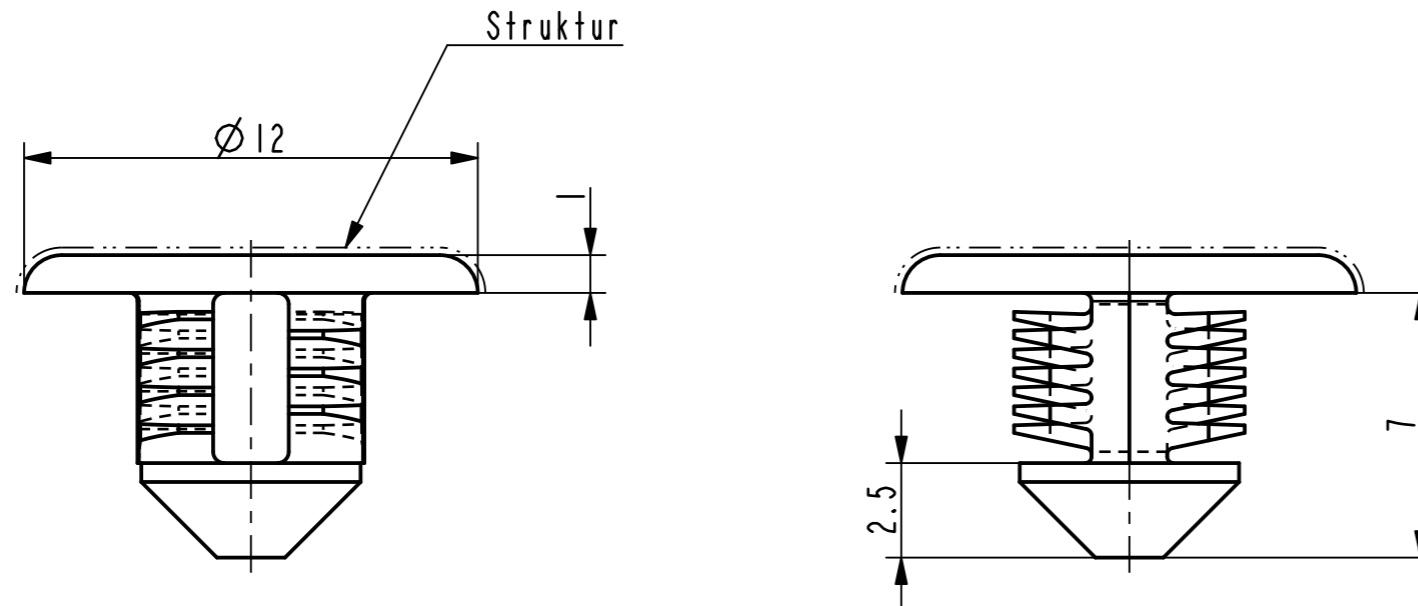


3D - Darstellung

1:1



Befest. - Loch = Ø 6,5<sup>+0,2</sup>  
Fastening hole



|                         |   |  |                              |      |
|-------------------------|---|--|------------------------------|------|
| 017905-0-06             | -   | farblos<br>nature                        | FL                           | 0000 |
| 017905-0-05             | F 33 D                                    | graubeige<br>shale                       | BG                           | 9024 |
| 017905-0-04             | F 44 E                                    | hellbeige<br>lightneutral                | BG                           | 9124 |
| 017905-0-03             | F 71 C                                    | ebenhholz schwarz<br>ebony               | SW                           | 7010 |
| 017905-0-01             | F 59 E                                    | dunkel grau<br>charcoal                  | GA                           | 4023 |
| 017905-0-00             | F 70 C                                    | schattengrau<br>shadow                   | GA                           | 4066 |
| Teil-Nr. /<br>part no.  | Spezial-Farbcod /<br>Special- finish code | Oberflaeche / Farbe /<br>finish / colour | Oberfl. Code/<br>finish code |      |
| Ausfuehrung / Execution |   |  |                              |      |

|      |                     |  |            |      |
|------|---------------------|--|------------|------|
| Rev. | Anzahl/<br>quantity | Aenderungsbeschreibung / modification description    | Datum/date | Name |
| Dc   | -                   | Variante 006 hinzu                                   | 10.02.14   | kl   |
| Db   | 1x                  | Variante 004: Oberfl.Code korrigiert (9124 war 9034) | 25.07.13   | kl   |
| Da   | -                   | Zeichnung ueberarbeitet nach AR-Gruppenstandard      | 04.06.13   | SH   |

**ARaymond®**  
A RAYMOND GmbH & Co.KG  
Teichstrasse 57  
Germany - 79511 Loerrach  
Phone +49 (0) 7621 174-0  
Fax +49 (0) 7621 174-225

Bei Verstaendnisproblemen beantragen Sie bitte beim Absender die deutsche Fassung vor jeder Anwendung.  
"CONDITIONS OF USE"  
This drawing and all information (the "Drawing") disclosed are the exclusive property of ARaymond. By using this Drawing the Addressee acknowledge and accept that this Drawing (1) is covered by ARaymond' intellectual property rights or know-how and (2) is provided under the following conditions who represent a Deposit Agreement. This Drawing is for Adressee' Internal use only limited to its estimation. Without prior written consent of ARaymond, no permission or rights for any purpose, is hereby granted, such as, without any limitation, (1) the copy, in part or entirely, (2) and/or the presentation, in part or entirely, to any other third party outside the Adressee' company or in the company but with no interest (3) and/or the distribution of the Drawing, in part or entirely, in any medium (4) and/or the creation of any derivative work. In case of breach of these conditions, Adressee shall indemnify ARaymond from and against all damages (compensatory or consequential), costs, expenses and charges, caused or arising out of or attributable to its willful misconduct, fraud, negligence, infringement of ARaymond' intellectual property rights. If the Adressee does not accept these conditions, please notify ARaymond' sender immediately.

Schutzrechte/  
patent rights vorbehalten / all rights reserved  
Classification Code FAAA-  
Ersatz fuer/  
substitutue for 17905-623 Ind. 4 vom 20.08.01 Entw.Ref./  
dev.ref. Projekt-Nr./  
project no. 43670-K

Masstab/  
scale 5:1  
Format A3  
Allgemeintoleranz/  
general tolerance ±0,25 / ±2°  
Datum/  
date 04.06.2013  
Erstellt von/  
prepared by S. Hempel

Projektion / projection  
ALL DIMENSIONS ARE  
IN MILLIMETERS  
Freigegeben/  
approved 20140210094919  
Bleedicke/  
mat. thickness  
DIN EN 10140 -  
Volumen/  
volume (mm³) 203  
Gewicht/  
weight (g) 0.3

Oberfl. /  
finish -  
Oberfl. Code/  
finish code -

Werkstoffbehandl./  
material treatment -

Werkstoff/  
material POM-C-Standard  
Mat. code 5003

Benennung/  
title Stopfen  
Plug

Teil-Nr. /  
part no. 017905-0-00  
Drawing type C:Customer

Kundenteile-Nr. / customer part no. -  
Blatt / sheet 1 / 1  
CAD system & version ProE WF3  
Dateiname / filename 017905-0C00