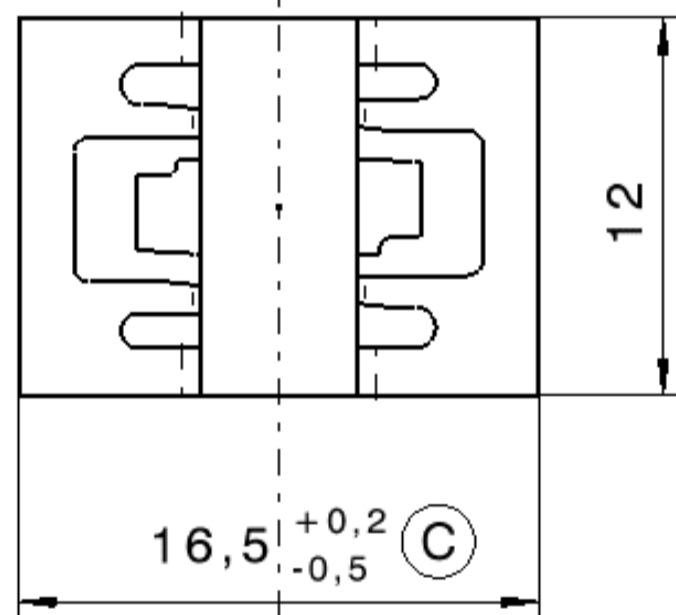
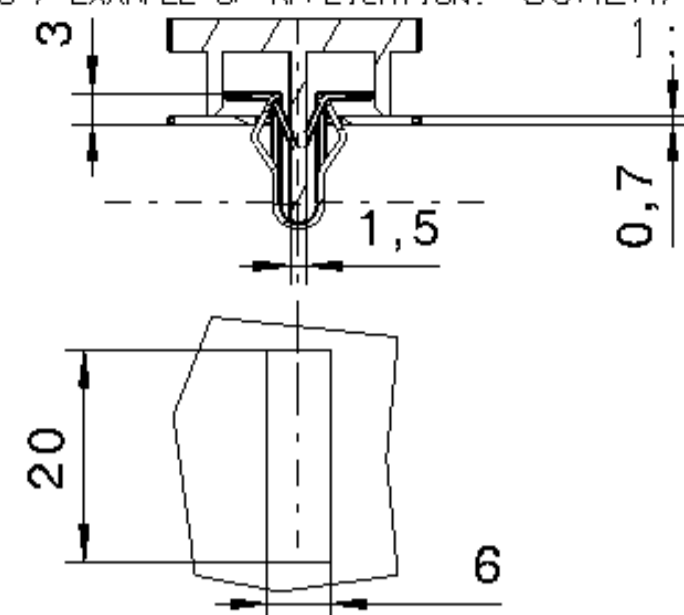


Isometric view
Scale: 1:1



ESEMPIO D'IMPIEGO / EXAMPLE OF APPLICATION: SCALA/SCALE



COD. TPO:

C	03	VARIATE DIMENSIONI	26/11/07	M. S. C. G.
B	01	MODIFICATO TRATTAMENTO	08/10/07	B. K. C. G.
A	D1	ALLARGATA MOLLETTA	02/10/07	B. K. C. G.
IND	N. QUOTE	DESCRIZIONE / DESCRIPTION	DATE	NAME

MODIFICHE / MODIFICATIONS



A. Raymond Italiana S.r.l.
Strada Prov. le To-Svizzera 41-13040 CARISIO (VC) - Tel. 0161937311/T1x 222439/Fax 0161971058

<p>CONDITIONS OF USE</p> <p>This drawing and all information (the Drawing) disclosed are the exclusive property of A. Raymond. By using this Drawing the Addressee acknowledges and except that this Drawing (1) is covered by A. Raymond intellectual property rights or know-how and (2) is provided under the following conditions: who represent a Deposit Agreement. This Drawing is for Addressee internal use only limited to its estimation, without prior written consent of A. Raymond, no permission or rights for any purpose, is hereby granted, such as, without any limitation, (1) the copy, in part or entirely, (2) and/or the presentation, in part or entirely, to any other third party outside the addressee company or in the company but with no interest (3) and/or the distribution of the Drawing, in part or entirely, in any medium (4) and/or the creation of any derivative work. In case of breach of these conditions, Addressee shall indemnify A. Raymond from and against all damages (compensatory or consequential), costs, expenses and charges, caused or arising out of or attributable to its willful misconduct, fraud, negligence, infringement of A. Raymond Intellectual Property rights. If the Addressee does not accept these conditions, please notify A. Raymond sender immediately. Per problemi di incomprensione, pregio richiederne la versione italiana ad A. Raymond prima dell'utilizzo del disegno.</p>	CLIENTE/CUSTOMER:		DATA / DATE:
	RIFERIMENTO/NUMBER:		03/07/07
	BREVETTI / PATENTS:		DISIGN./DESIGNER:
	FORMAT A3		MAGGI
	SCALA / SCALE:	3:1	U.T.P.:
	GENERAL TOLERANCE		CHIORBOLI
	QUOTE / DIMENSIONS	ANGOLI / ANGLES	U.T.O.:
	± 0,5	± 5°	VARALDA
	PESO / WEIGHT: (g)	QUALITA'/QUALITY:	PRODUC./PRODUCT.:
	TH. -VOL. (mm-mm)	0.6	MARENGO
TRATTAMENTO SUPERFICIALE O COLORE / SURFACE TREATMENT OR COLOR:		QUALITA'/QUALITY:	
Fe/Zn 121V deidr. tipo B		CASCIANO	
Cap. Fiat 9.57405			
TRATTAMENTO / TREATMENT:			
TEMPRATO FRA 42 - 46 HRC			
MATERIALE / MATERIAL:			
ACCIAIO C72			
(TAB. FIAT 52554)			
DENOMINAZIONE / PARTNAME:			
MOLLETTA PER MODANATURE			
/ MOULDING FASTENER			
PROD. LINE:	01	PROD. FAMILIES:	30
NUMERO / NUMBER:			
209684.000 C			

