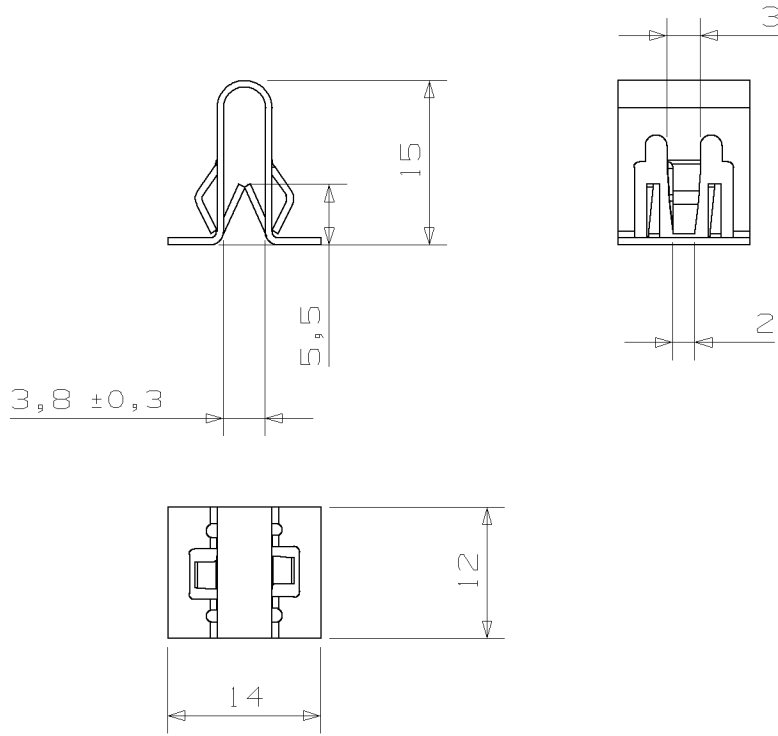
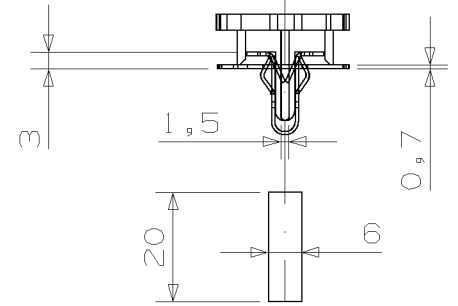


Particolare progettato per montaggio manuale



ESEMPIO D'IMPIEGO / EXAMPLE OF APPLICATION:



A.	00	AGGIUNTA NOTA	27/07/09	MS	VS
IND.	N. QUOTE	DESCRIZIONE / DESCRIPTION	DATE	NAME	

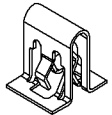
MODIFICHE / MODIFICATIONS



A.Raymond Italiana s.r.l.
Strada Prov.le To-Svizzera 41-13040 CARISIO (VC) - Tel.0161937311/Fax 0161971058

<p>CONDITIONS OF USE</p> <p>This drawing and all its reproduction, (this Drawing) are the exclusive property of A. Raymond. By using this Drawing the Addressee acknowledges and accepts that this Drawing (1) is covered by A. Raymond intellectual property rights or know-how and (2) is provided under the following conditions who represent a Deposit Agreement. This Drawing is for Addressee internal use only limited to its estimation. Without prior written consent of A. Raymond, the use of this Drawing for any other purpose, is hereby granted, such as, without any limitation:</p> <p>(1) the copy, in part or entirely, to any other third party outside the Addressee company or in the company but with no interest;</p> <p>(2) and/or the presentation, in part or entirely, in part or entirely, in any medium (3) and/or the creation of any derivative work;</p> <p>(4) and/or the creation of any derivative work.</p> <p>In case of breach of these conditions, Addressee shall indemnify A. Raymond from and against all damages (compensatory or consequential), costs, expenses and charges, caused or arising out of or attributable to its willful misconduct.</p> <p>Per l'uso di questo disegno per qualsiasi altro scopo, si prega di ottenere il permesso scritto dalla A. Raymond. Se l'Addressee non accetta queste condizioni, si prega di avvertire A. Raymond immediatamente.</p> <p>Per problemi di incomprensione, si prega di chiedere la versione italiana ed A. Raymond prima dell'utilizzo del disegno.</p>	<p>CLIENTE/CUSTOMER: RIFERIMENTO/NUMBER:</p> <p>BREVETTI / PATENTS:</p> <p>DATA / DATE: 30/06/09</p> <p>DESIGNER/DESIGNER: ZAGHI</p>
	<p>FORMAT A3</p> <p>SCALE / SCALE: 2 : 1</p> <p>U.T.P.: VARESIO</p>
	<p>GENERAL TOLERANCE QUOTE / DIMENSIONS ANGOLI / ANGLES</p> <p>±0.5 ±5°</p> <p>U.T.O.: VERCELLONE</p> <p>PRODUZ./PRODUCT.: VARALDA</p>
	<p>PESO / WEIGHT: (g) TH. -VOL. (mm-mm³)</p> <p>QUALITA'/QUALITY: NEVONE</p>
	<p>TRATTAMENTO SUPERFICIALE O COLORE / SURFACE TREATMENT OR COLOR:</p> <p>finito di tempra</p>
	<p>TRATTAMENTO / TREATMENT:</p> <p>TEMPRATO HR30N: 61.3 a 64.8 (42 a 46 HRC)</p>
	<p>MATERIALE / MATERIAL:</p> <p>ACCIAIO C675 secondo UNI EN 10132-4</p>
	<p>DENOMINAZIONE / PARTNAME:</p> <p>MOLLETTA METAL CLIP</p>
	<p>PROD.LINE: 01</p> <p>PROD. FAMILIES: 30</p>
	<p>NUMERO / NUMBER:</p> <p>104009.001 C</p>

SCALE 1 : 1



<http://www.cergy-vis.fr>
CERGY-VIS
 ET SI ON PARLAIT SERVICE

104009.004	Fe/Zn 12IVDeidr b CAP.FIAT 9.57405
104009.002	FOSFATAZIONE F FARZ10M CAP.FIAT 9.57408

SERVE SOLO PER INFORMAZIONE
IT USES ONLY FOR INFORMATION

DISEGNO REALIZZATO CON UNIGRAPHICS 3D, NON SONO AMMESSE MODIFICHE MANUALI / THIS DRAWING IS MADE BY UNIGRAPHICS 3D, MANUAL MODIFICATIONS ARE NOT POSSIBLE